



## DC axial fans

Series 4300 NU 119 x 119 x 32 mm



### Highlights:

- Motor protection against reverse polarity and locking.
- Air exhaust over struts
- Connection via 310 mm strands AWG 22, TR 64, bared and tin-plated
- Ingress protection rating of IP68

**Material:** Housing: Fiberglass-reinforced PBT composite  
Impeller: Fiberglass-reinforced PA composite

**Direction of rotation:** Clockwise, seen on rotor



## DC axial fans

Series 4100 NU 119 x 119 x 38 mm



### Highlights:

- Motor protection against reverse polarity and locking.
- Air intake over struts
- Connection via 310 mm strands AWG 22, TR 64, bared and tin-plated
- Ingress protection rating of IP68

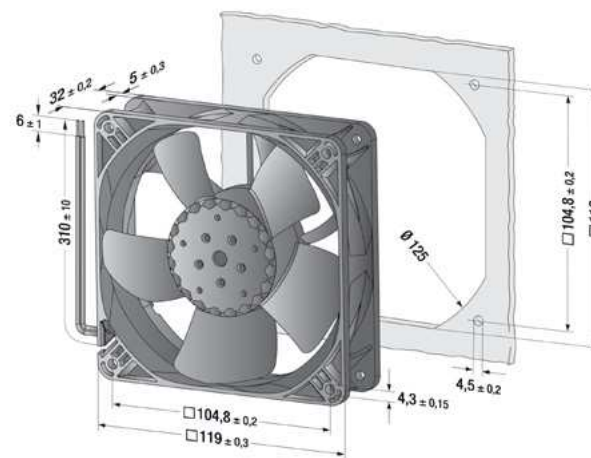
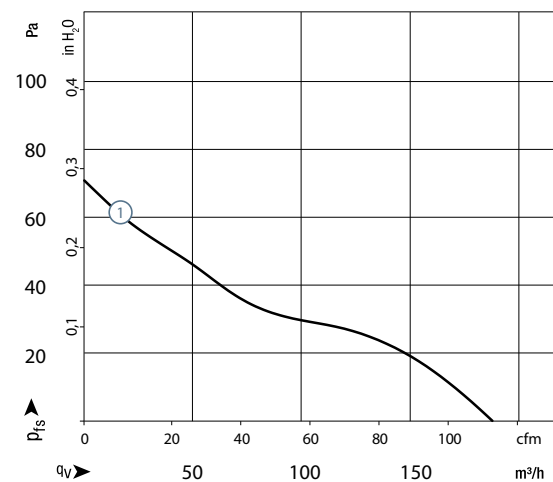
**Material:** Housing: Die-cast aluminum  
Impeller: Fiberglass-reinforced PA composite

**Direction of rotation:** Clockwise, seen on rotor

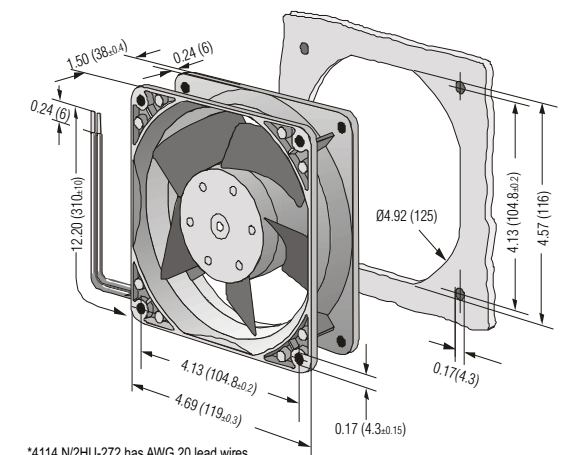
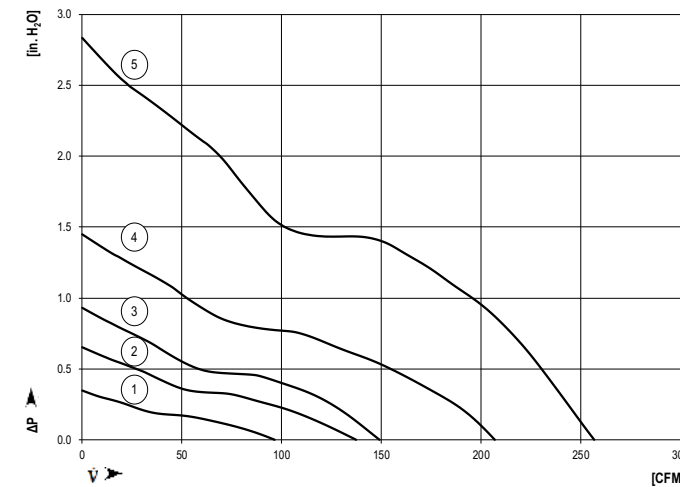
Nominal Data	Air flow	Nominal voltage	Voltage range	Sound pressure level	Sound power level	Ball bearings	Power input	Speed	Temperature range	Mass	Ingress Protection Rating	UL Approval	Curves
4312 NNU	112	12	6...15	41	5.5	Yes	4.0	2700	-20...75	250	IP68	Yes	1
4314 NNU	112	24	12...28	41	5.5	Yes	4.0	2700	-20...75	250	IP68	Yes	1

Nominal Data	Air flow	Nominal voltage	Voltage range	Sound pressure level	Sound power level	Ball bearings	Power input	Speed	Temperature range	Mass	Ingress Protection Rating	UL Approval	Curves
4112 N/2HU	134.0	12	8...14	57.0	6.5	Yes	11.0	4400	-20...55	400	IP68	Yes	2
4114 NXU**	99.0	24	12...29	48.5	5.7	Yes	5.6	3200	-20...75	400	IP68	Yes	1
4114 NU	99.0	24	12...29	48.5	5.7	Yes	5.6	3200	-20...75	400	IP68	Yes	1
4114 NHU-295	134.0	24	16...30	57.0	6.5	Yes	11.0	4400	-20...55	400	IP68	Yes	2
4114 N/2HU-272*	134.0	24	12...25	57.0	6.5	Yes	11.0	4400	-20...55	400	IP68	Yes	2
4114 NXHHU**	153.0	24	12...28	60.0	7.0	Yes	13.6	4900	-20...55	400	IP68	Yes	3
4114 N/2H6PU	256.0	24	16...30	73.0	8.1	Yes	65.0	8400	-20...65	390	IP68	Yes	5
4114 N/2H6AU	256.0	24	16...30	73.0	8.1	Yes	65.0	8400	-20...65	390	IP68	Yes	5
4118 NHU-294	134.0	48	36...56	57.0	6.5	Yes	11.0	4400	-20...55	400	IP68	Yes	2
4118 N/2H4PU	206.0	48	36...60	67.0	7.0	Yes	34.0	6800	-20...65	400	IP68	Yes	4

### Curves



### Curves



\*4114 N/2HU-272 has AWG 20 lead wires  
\*\*Mounting hole diameter is 0.146 (3.7±0.15) on the 4114NX versions