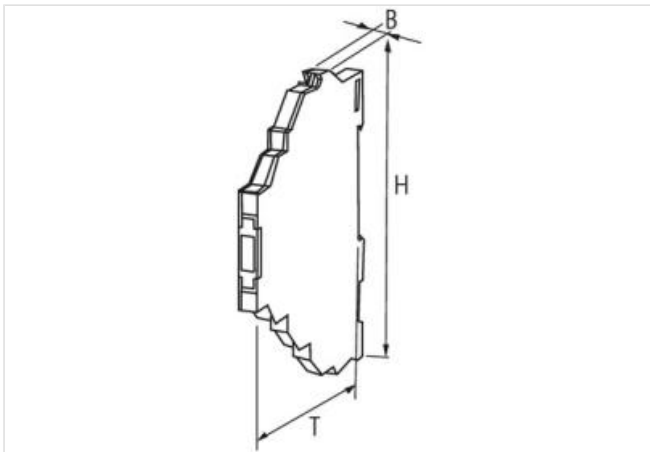
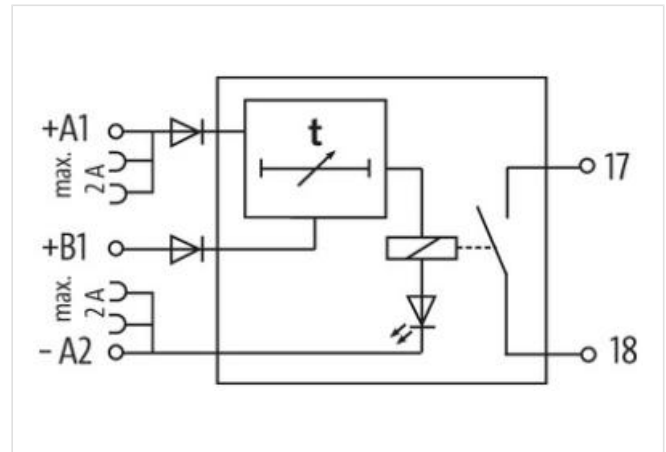


MIRO MULTI TIMER 24VDC-1S

MIRO MULTI-TIMER 24VDC-1S

Relay output
 Impulse expansion: 0.1...300 s
 Spring clamp terminals
 safe separation (EN 60947-1)

[Link to Product](#)**Illustration**

Product may differ from Image

**Commercial data**

ECLASS-6.0	27371790
ECLASS-6.1	27371790
ECLASS-7.0	27371790
ECLASS-8.0	27371605
ECLASS-9.0	27371605
ECLASS-10.1	27371605

ECLASS-11.1	27371605
ECLASS-12.0	27371605
ETIM-5.0	EC001439
customs tariff number	85364190
GTIN	4048879021906
Packaging unit	1

Electrical data | Input

Input voltage DC	24 V
Input voltage DC min.	20,4 V
Input voltage DC max.	26,4 V
Input current	20 mA
Input current DC max.	16 mA
Control voltage DC	24 V
Control voltage DC min.	20,4 V
Control voltage DC max.	26,4 V
Control current	5 mA

Electrical data | Output

Output voltage adjustable	no
Output current max.	6 A
Switching frequency max.	10 Hz
Power rating AC max.	1500 VA
Power rating DC max.	120 W
Switching voltage AC max.	250 V
Switching voltage DC max.	250 V
Switching current DC	100 mA

Device protection

Condition lifetime	load-dependent
--------------------	----------------

Device protection | Electrical

Rated surge voltage	4 kV
Electrical lifetime	20000000 Cycles

Device protection | Mechanical

Mechanical endurance	20000000 Cycles
----------------------	-----------------

Mechanical data

Drop-out time max.	15 ms
Response time max.	10 ms
Bounce time max.	1,5 ms

Mechanical data | Material data

Material contact	Ag Sn O ₂
------------------	----------------------

Mechanical data | Mounting data

Mounting method	geschnappt
Suitable for mounting type	mounting rail, (EN 60715)
Height	91 mm
Width	6,2 mm
Depth	70 mm

Environmental characteristics | Climatic

Operating temperature min.	-25 °C
Operating temperature max.	60 °C

Connection type 5

Connection	Spring clamp terminals FK
Family construction form	terminal

Gender	female
Color contact carrier	black
No. of poles	1
PIN 1	+ A 1
Connection	Spring clamp terminals FK
Family construction form	terminal
Gender	female
Color contact carrier	black
No. of poles	1
PIN 1	18
Connection	Spring clamp terminals FK
Family construction form	terminal
Gender	female
Color contact carrier	black
No. of poles	1
PIN 1	17
Connection	Spring clamp terminals FK
Family construction form	terminal
Gender	female
Color contact carrier	black
No. of poles	1
PIN 1	+ B 1
Connection	Spring clamp terminals FK
Family construction form	terminal
Gender	female
Color contact carrier	black
No. of poles	1
PIN 1	- A 2