



SHURFLO WATER STRAINERS 255 SERIES

WATER STRAINERS – PRODUCT TECHNICAL DATA SHEET

OEM: 255-213 (A), 255-223 (B), 255-215 (C), 255-225 (D)
AFTERMARKET: 255-313 (A), 255-323 (B), 255-315 (C), 255-325 (D)



APPLICATION:

Fresh water pump debris strainer – vacuum side only

MATERIAL:

Top Housing: Polypropylene
Bowl: Nylon
Gasket: EPDM
Screen: 50 Mesh T-304 SS

AGENCY APPROVALS:

IAPMO [Meets NSF 61]

SHIPPING INFORMATION:

Approx. Net Weight: 0.12 lbs. [0.05 Kg] ea.
Carton Qty.: 96
Approx. Carton Weight: 10 lbs. [4.5 Kg]

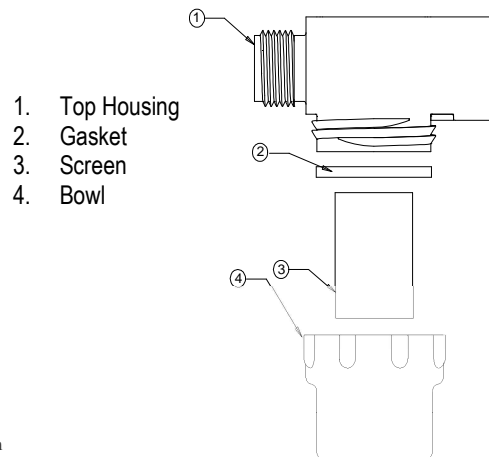
RELATED DOCUMENTS:

RV Catalog: MS-030-138
Marine Catalog : MS-030-140
App Guide Sheet: MS-020-005
Installation Manual: 911-689
Aftermarket Warranty RV: 911-1044
Aftermarket Warranty Marine: 911-1045

SPECIFICATIONS:

Inlet Port (A): 1/2" NPS-M
Outlet Port (A): 1/2" NPS-M
Inlet Port (B): 1/2" Barba Straight
Outlet Port (B): 1/2" NPS-M
Inlet Port (C): 1/2" NPS-M Male
Outlet Port (C): 1/2" NPT Hex Wing Nut
Inlet Port (D): 1/2" Barb Straight
Outlet Port (D): 1/2" NPT Hex Wing Nut
Max Temp: 120°F [48°C]
Max Pressure: Vacuum Side Only

REPAIR KITS – NOT AVAILABLE



WATER PURIFICATION

3545 Harbor Gateway South, Suite 103, Costa Mesa, CA 92626, (800) 854-3218 www.SHURFLO.com

All Pentair trademarks and logos are owned by Pentair, Inc. All other brand or product names are trademarks or registered marks of their respective owners. Because we are continuously improving our products and services, Pentair reserves the right to change specifications without prior notice. Pentair is an equal opportunity employer.

255 Strainers Rev. 02/14 2001- 2014 ©Pentair, Inc. All Rights Reserved.