

Technical data sheet

Actuator sensor interface · RJ45 Panel pass through devices

Control cabinet bushing M12 CAT6A X encoded - RJ45

Female/female 1:1

Cat.6_A (Ethernet, Profinet)



Identification

Type M12-RJ45 F/F 180° 8/8 Cat.6A
Part No. [490231](#)

Product version

Datasheet version 00

General

Design	RJ45/M 12×1
Form male 1	RJ45 M 12 female
Insulation resistance	>100 MΩ
Contact resistance	<5 mΩ
Degree of protection	IP67 IP68
Contact material	CuSnZn
Mounting	Rear wall assembly Fastening thread M16 × 1,5
Installation depth	approx.47 mm
Operation temperature range	-40 °C ... +85 °C
Storage temperature range	-40 °C ... +85 °C
Temperature range connector	-40 °C ... +85 °C
Mechanical service life	>500 insertion cycles
Weight/unit	0.037 kg
PU (units)	1

United Kingdom: LÜTZE Ltd.

Unit 3, Sandy Hill Park
Sandy Way, Amington • GB-Tamworth, Staffs B77 4DU
Tel. +44 (0)1827 31333-0 • Fax +44 (0)1827 31333-2
www.lutze.com • sales.gb@lutze.co.uk

Germany: Friedrich Lütze GmbH

Postfach 12 24 (PLZ 71366) • Bruckwiesenstraße 17-19 • D-71384 Weinstadt
Tel. +49 (0)7151 6053-0 • Fax +49 (0)7151 6053-277(-288)
www.luetze.de • info@luetze.de

03.05.2022 • Subject to technical modification

Part No. [490231](#) • Datasheet version: 00

page 1 of 3



SYSTEMATIC TECHNOLOGY

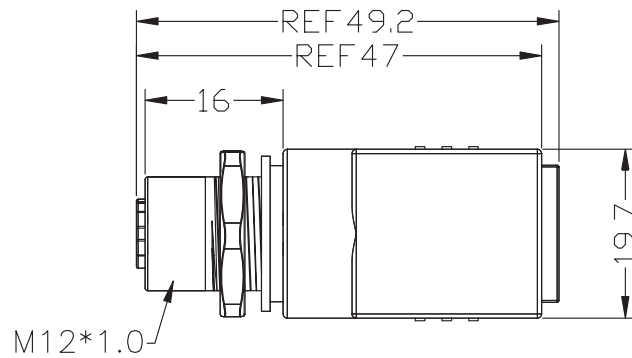
Technical data sheet

Actuator sensor interface · RJ45 Panel pass through devices

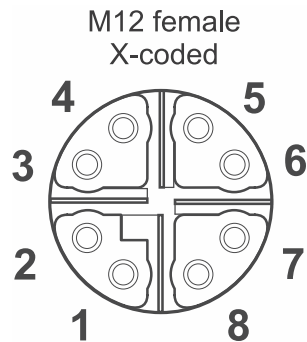
Technical data

Operating voltage max.	60 V
Rated current	0.5 A per contact
Pole number	8
Bandwidth	500 MHz
Transfer rate	10 Gbit/s
Category	Cat.6 _A
Coding	X
Shielding	360°

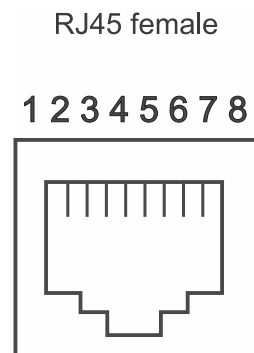
Dimensions



Pin layout



Pin layout



Technical data sheet

Actuator sensor interface · RJ45 Panel pass through devices

Circuit diagram

