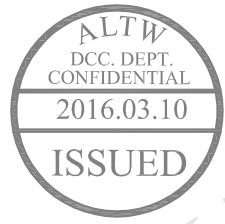
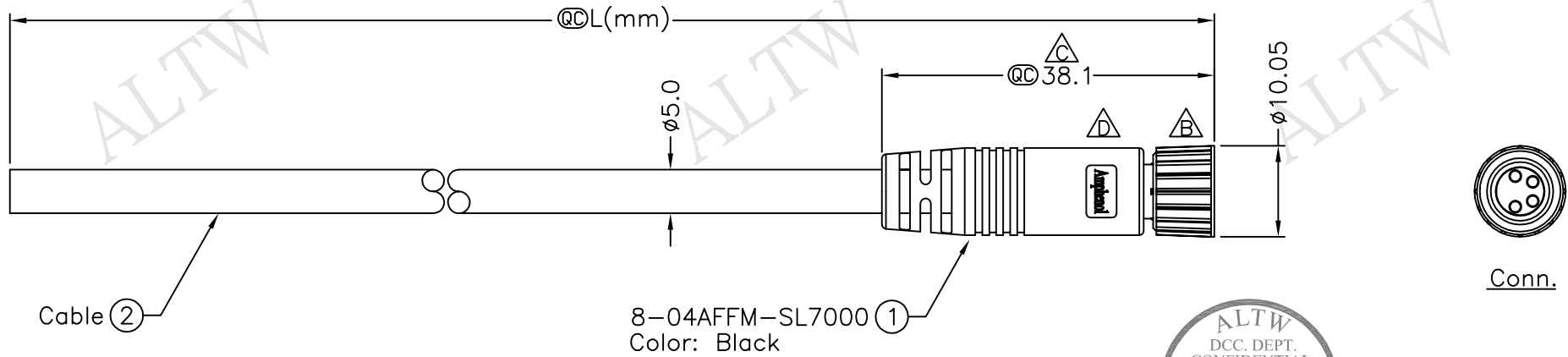


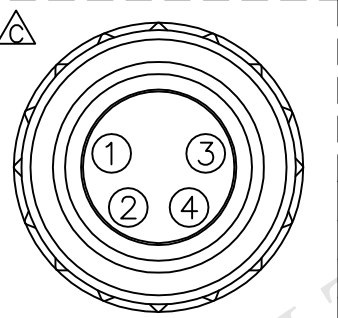
REV.	ECN NO.	DATE	SIGN	DESCRIPTION
B	LEN-710104~106	2007/01/12	Cloud	Change Nut BAB0040NI00 To BEA00010016.
C	LEN-920222~225	2009/02/06	Vicky	Update the drawing.
D	LEN1630103~107	2016/02/18	Ruru	Change Logo

THIS DOCUMENT IS SUBJECT TO CHANGE WITHOUT NOTICE. IT IS CONFIDENTIAL AND A PROPERTY OF Amphenol LTW. DISCLOSURE TO THIRD PARTY HAS TO BE AUTHORIZED BY Amphenol LTW.



8-04AFFM-SL7AXX
 XX:01~99Meters
 01:01Meter
 02:02Meters
 :
 :
 99:99Meters
 Cable Length(L):01~99Meters

- Notes:
- * @C Important Dimension.
 - * Waterproof Rate:IP67.
 - * Connector:Black,PU.
 - * Female Pin:Copper Alloy,Gold Plated.
 - * Cable:UL2464 22AWG*4C+Talcum,Black, PVC Jacket,UV Resistant,OD=5.0mm.
 - * Cable Length Tolerance:
 - 01M:±40mm
 - 02M~05M:±60mm
 - 06M~10M:±100mm
 - 11M~30M:±200mm
 - 31M~99M:±500mm



4	Black	黑
3	Blue	藍
2	White	白
1	Brown	棕
Conn.	Wire Color	
	Pin Out	

UNIT:mm		TITLE		M8 Conn
TOLERANCE				Cable Screw 4P F Conn F Pin
±0.5 mm		SCALE	Free	SHEET 1 OF 1
		REV.	D	SIZE A4
				@C :Inspection Item

Amphenol LTW
 安費諾亮泰企業股份有限公司

ITEM NO		DRAWN BY	Ruru	DATE	2016/02/18
DWG NO	8-04AFFM-SL7AXX	CHECKED BY	Rita	DATE	2016/02/18
CUSTOMER	ALTW	APPROVED BY	Lisa	DATE	2016/02/18