

GN 992 | Threaded hole end-caps for tubes

Aluminium



MATERIAL

Natural aluminium.

STANDARD EXECUTIONS

- **GN 992-D**: for round tubes.
- **GN 992-V**: for square tubes.

FEATURES AND APPLICATIONS

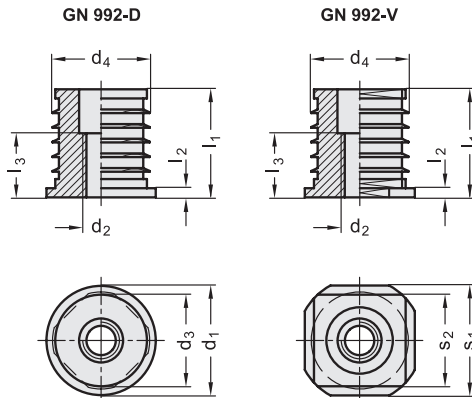
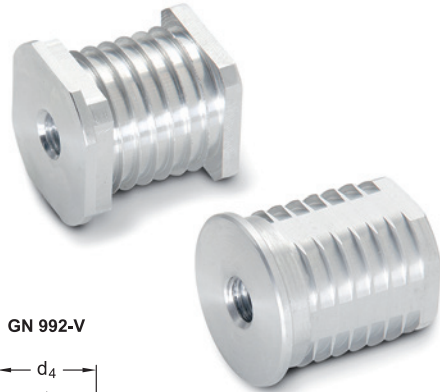
GN 992 end-caps are suitable for the assembly of the threaded levelling elements on the tubes.

The external blades can compensate the internal diameter $\pm 0,5$ mm tolerances of the tubes, both round and square.

They must be fitted to the tube ends by means of a mallet.

SPECIAL EXECUTIONS ON REQUEST

AISI 303 stainless steel end caps for tubes.



GN 992-D

Code	Description	d1	d2	d3	d4	l1	l2	l3+0.5	For tubes	⚖️
GN.69301	GN 992-D20-M8	20	M8	16	16.5	29.5	2.5	16	GN 990-D20	10
GN.69303	GN 992-D25-M8	25	M8	21	21.5	33.5	2.5	16	GN 990-D25	22
GN.69305	GN 992-D25-M10	25	M10	21	21.5	33.5	2.5	16	GN 990-D25	22
GN.69307	GN 992-D30-M8	30	M8	26	26.5	33.5	2.5	18	GN 990-D30	34
GN.69309	GN 992-D30-M10	30	M10	26	26.5	33.5	2.5	18	GN 990-D30	45
GN.69311	GN 992-D32-M8	32	M8	28	28.5	33.5	2.5	18	GN 990-D32	50
GN.69313	GN 992-D32-M10	32	M10	28	28.5	33.5	2.5	18	GN 990-D32	50
GN.69315	GN 992-D35-M10	35	M10	31	31.5	37.5	2.5	24	GN 990-D35	55
GN.69317	GN 992-D35-M12	35	M12	31	31.5	37.5	2.5	24	GN 990-D35	55
GN.69319	GN 992-D40-M10	40	M10	34	34.5	41.5	2.5	24	GN 990-D40	78
GN.69321	GN 992-D40-M12	40	M12	34	34.5	41.5	2.5	24	GN 990-D40	78
GN.69323	GN 992-D42-M10	42	M10	36	36.5	41.5	2.5	24	GN 990-D42	90
GN.69325	GN 992-D42-M12	42	M12	36	36.5	41.5	2.5	24	GN 990-D42	90
GN.69327	GN 992-D45-M12	45	M12	39	39.5	45.5	2.5	30	GN 990-D45	110
GN.69329	GN 992-D45-M16	45	M16	39	39.5	45.5	2.5	30	GN 990-D45	110
GN.69331	GN 992-D48-M12	48	M12	42	42.5	45.5	2.5	30	GN 990-D48	130
GN.69333	GN 992-D48-M16	48	M16	42	42.5	45.5	2.5	30	GN 990-D48	130
GN.69335	GN 992-D50-M12	50	M12	44	44.5	45.5	2.5	30	GN 990-D50	145
GN.69337	GN 992-D50-M16	50	M16	44	44.5	45.5	2.5	30	GN 990-D50	145

GN 992-V

Code	Description	s1	d2	s2	d4	l1	l2	l3+0.5	For tubes	⚖️
GN.69351	GN 992-V20-M8	20x20	M8	16	16.5	29.5	2.5	16	GN 990-V20	11
GN.69353	GN 992-V25-M8	25x25	M8	21	21.5	33.5	2.5	16	GN 990-V25	22
GN.69355	GN 992-V25-M10	25x25	M10	21	21.5	33.5	2.5	16	GN 990-V25	22
GN.69357	GN 992-V30-M8	30x30	M8	26	26.5	33.5	2.5	18	GN 990-V30	52
GN.69359	GN 992-V30-M10	30x30	M10	26	26.5	33.5	2.5	18	GN 990-V30	52
GN.69365	GN 992-V35-M10	35x35	M10	31	31.5	37.5	2.5	24	GN 990-V35	60
GN.69367	GN 992-V35-M12	35x35	M12	31	31.5	37.5	2.5	24	GN 990-V35	60
GN.69369	GN 992-V40-M10	40x40	M10	34	34.5	41.5	2.5	24	GN 990-V40	115
GN.69371	GN 992-V40-M12	40x40	M12	34	34.5	41.5	2.5	24	GN 990-V40	88
GN.69377	GN 992-V45-M12	45x45	M12	39	39.5	45.5	2.5	30	GN 990-V45	165
GN.69379	GN 992-V45-M16	45x45	M16	39	39.5	45.5	2.5	30	GN 990-V45	165
GN.69385	GN 992-V50-M12	50x50	M12	44	44.5	45.5	2.5	30	GN 990-V50	215
GN.69387	GN 992-V50-M16	50x50	M16	44	44.5	45.5	2.5	30	GN 990-V50	215



Connecting clamps