

Features:

- High luminous LEDs
- 5.1 x 4.3mm Standard directivity
- Superior weather-resistance
- UV Resistant epoxy
- Without stopper & colour diffused type

Applications

- Traffic signal, portable light source
- Signage and channel letter
- Decorating and entertainment lighting
- Architectural lighting
- Outdoor/Indoor LED displays

Absolute maximum rating (Ta=25°C)

Item	Symbol	Value	Unit
DC forward current	I_F	30	mA
Pulse forward current*	I_{FP}	100	mA
Reverse voltage	V_R	5	V
Power dissipation	P_D	120	mW
Operating temperature	T_{opr}	-30 to +85	°C
Storage temperature	T_{stg}	-30 to +100	°C
Lead soldering temperature	T_{sol}	260°C/3 sec	-

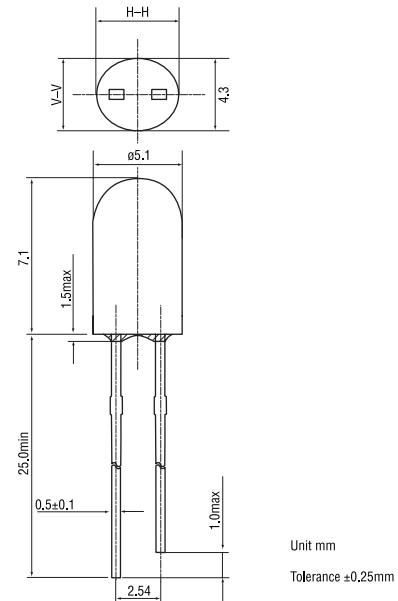
*Pulse width max. 10ms. Duty ratio max. 1/10

Electrical - Optical characteristics (Ta=25°C)

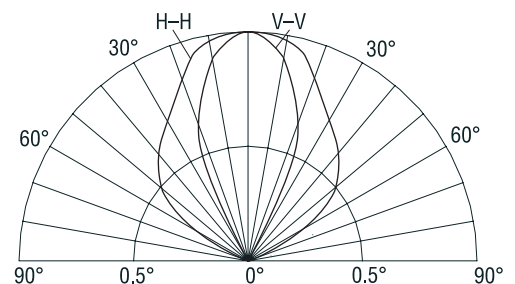
Item	Symbol	Condition	Min.	Typ.	Max.	Unit
DC Forward voltage	V_F	$I_F = 20\text{mA}$	2.8	3.3	3.8	V
DC Reverse current	I_R	$V_R = 5\text{V}$	-	-	10	μA
Domi. Wavelength	λ_D	$I_F = 20\text{mA}$	520	525	530	nm
Luminous intensity	I_V	$I_F = 20\text{mA}$	1560	2180	3000	mcd
50% Power angle	$2\theta_{1/2}$	$I_F = 20\text{mA}$	-	100/40	-	deg



Outline dimensions:



Directivity:



Maximum forward current:

