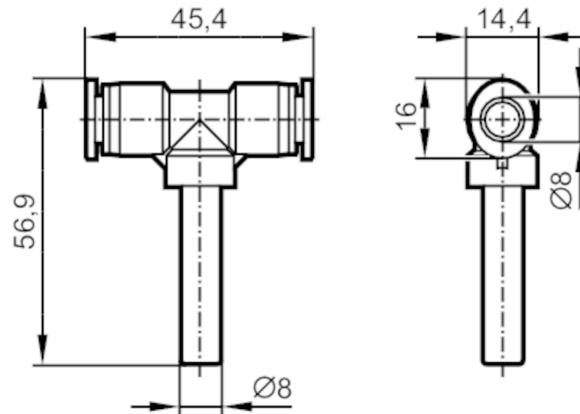


E75227



Push-in T-fitting for pneumatic connections

AirBox push-in T-connect 10pcs



Application

Media compressed air according to ISO 8573-1: 2001

Operating conditions

Ambient temperature [°C] -20...80

Mechanical data

Weight [g] 120.1

Materials housing: nickel-plated brass / PA66; Tooth lock washer: stainless steel

Tube fittings 8 mm

at_pneumatik-durchmesser-steckhuelse [mm] 8

Remarks

Pack quantity 10 pcs.