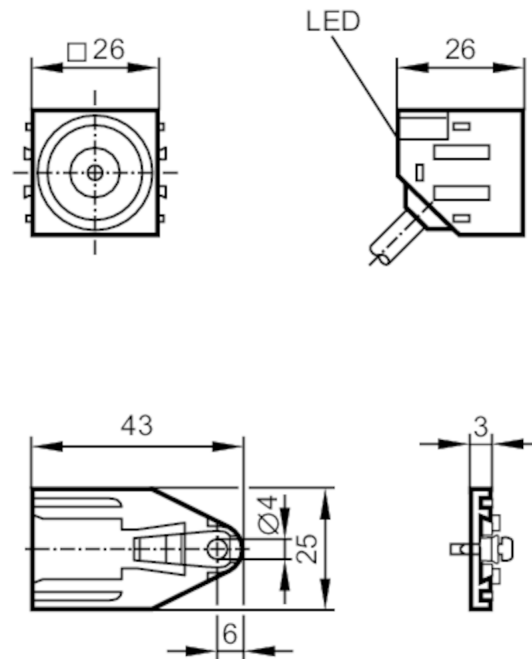


IO5018



Inductive sensor

IOW2010-ARKG/0,15M/US/UP RT



1 snap-fit mounting



Product characteristics

Electrical design		PNP/NPN
Output function		normally open
Sensing range	[mm]	10
Housing		rectangular
Dimensions	[mm]	26 x 26 x 26

Electrical data

Operating voltage	[V]	10...36 DC
Protection class		II
Reverse polarity protection		yes

IO5018



Inductive sensor

IOW2010-ARKG/0,15M/US/UP RT

Outputs		
Electrical design		PNP/NPN
Output function		normally open
Max. voltage drop switching output DC	[V]	4.6
Minimum load current	[mA]	2
Max. leakage current	[mA]	0.6
Permanent current rating of switching output DC	[mA]	100
Switching frequency DC	[Hz]	250
Short-circuit protection		yes
Type of short-circuit protection		pulsed
Overload protection		yes
Detection zone		
Sensing range	[mm]	10
Real sensing range Sr	[mm]	10 ± 10 %
Operating distance	[mm]	0...8.1
Accuracy / deviations		
Correction factor		steel: 1 / stainless steel: 0.7 / brass: 0.5 / aluminium: 0.4 / copper: 0.3
Hysteresis	[% of Sr]	1...15
Switch point drift	[% of Sr]	-10...10
Operating conditions		
Ambient temperature	[°C]	-25...70
Protection		IP 67
Tests / approvals		
EMC	EN 60947-5-2 EN 55011	class B
MTTF	[years]	2577
Mechanical data		
Weight	[g]	65.5
Housing		rectangular
Mounting		flush mountable
Dimensions	[mm]	26 x 26 x 26
Materials		PA
Displays / operating elements		
Display	switching status	1 x LED, red
Accessories		
Accessories (supplied)		head cap screw: 1 x M4 x 12
Remarks		
Pack quantity		1 pcs.
Electrical connection - plug		
Cable: 0.15 m, PUR; 3 x 0.14 mm ²		
Connector: 1 x M12		

IO5018



Inductive sensor

IOW2010-ARKG/0,15M/US/UP RT



Connection

