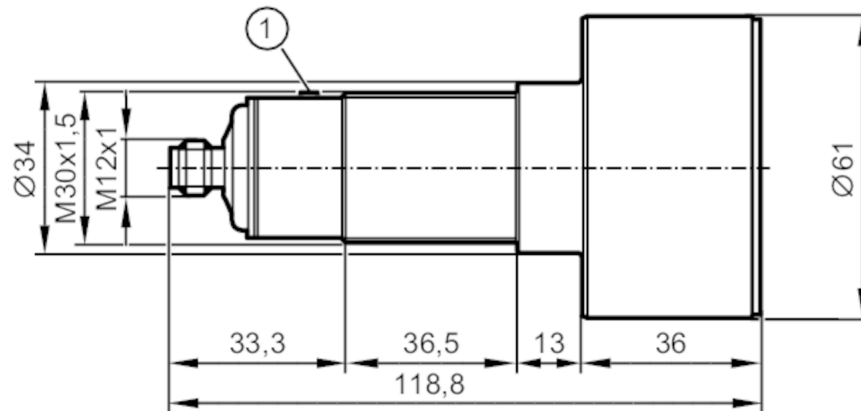


# UIT517



## Ultrasonic sensor

UIA08000F2KG/US



1: teach button



### Product characteristics

Electrical design	NPN
Output function	normally open / normally closed; (parameterisable + 1x voltage output)
Sensing range [mm]	600...8000; (Target: 1000 x 1000 mm)
Housing	threaded type
Dimensions [mm]	M30 x 1.5 / L = 118.8

### Electrical data

Operating voltage [V]	10...30 DC
Current consumption [mA]	30
Protection class	III
Reverse polarity protection	yes
Power-on delay time [s]	< 0.3
Converter frequency [kHz]	40

### Inputs / outputs

Number of inputs and outputs	Number of digital outputs: 1; Number of analogue outputs: 1
------------------------------	---

# UIT517



## Ultrasonic sensor

UIA08000F2KG/US

Outputs	
Total number of outputs	2
Electrical design	NPN
Number of digital outputs	1
Output function	normally open / normally closed; (parameterisable + 1x voltage output)
Max. voltage drop switching output DC [V]	2.2
Permanent current rating of switching output DC [mA]	100
Switching frequency DC [Hz]	1
Number of analogue outputs	1
Analogue voltage output [V]	0...10
Min. load resistance [ $\Omega$ ]	3000
Short-circuit protection	yes
Overload protection	yes
Detection zone	
Sensing range [mm]	600...8000; (Target: 1000 x 1000 mm)
Blind zone [mm]	600
Angle of aperture cylindrical [ $^{\circ}$ ]	10; ( $\pm 2$ )
Max. deviation from the 90 $^{\circ}$ angle sensor/object [ $^{\circ}$ ]	$\pm 4$
Accuracy / deviations	
Temperature compensation	yes
Hysteresis [%]	1
Switch point drift [%]	-5...5
Linearity error of analogue output [%]	<3
Notes on the accuracy / deviation	The indicated values are reached after a warm-up time of min. 20 minutes
Repeatability	1 %
Resolution [mm]	3
Response times	
Response time [ms]	< 700; (analogue output)
Operating conditions	
Ambient temperature [ $^{\circ}$ C]	-20...70
Storage temperature [ $^{\circ}$ C]	-30...80
Protection	IP 67

# UIT517



## Ultrasonic sensor

UIA08000F2KG/US

Tests / approvals		
EMC	EN 61000-4-2 ESD	4 kV CD / 8 kV AD
	EN 61000-4-3 HF radiated	3 V/m
	EN 61000-4-4 Burst	2 kV
	EN 61000-4-6 HF conducted	3 V
	EN 55011	Class A
Vibration resistance	EN 60068-2-6 Fc	(10-55) Hz 1 mm amplitude, oscillation period 5 min., 30 min. per axis at resonance or 55 Hz
Shock resistance	EN 60068-2-27 Ea	30 g 11 ms half-sine; 3 shocks each in every direction of the 3 coordinate axes
MTTF	[years]	114
UL approval	Ta	-20...70 °C
	voltage supply	Class 2
	File number UL	E174191

Mechanical data		
Weight	[g]	439.5
Housing		threaded type
Dimensions	[mm]	M30 x 1.5 / L = 118.8
Thread designation		M30 x 1.5
Materials		housing: stainless steel (1.4404 / 316L); PA; epoxy glass ceramics
Tightening torque	[Nm]	100

Displays / operating elements		
Display	switching status	2 x LED, yellow
	echo	1 x LED, green
Teach function		yes

Accessories		
Accessories (supplied)		lock nuts: 2, stainless steel

Remarks		
Remarks		operating voltage "supply class 2" according to cULus
Pack quantity		1 pcs.

### Electrical connection

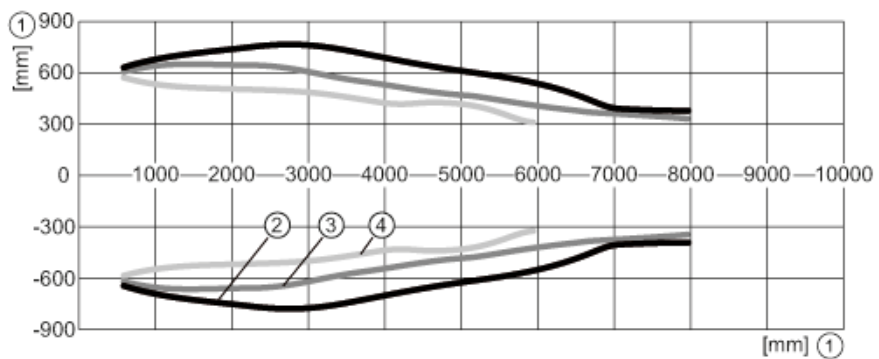
Connector: 1 x M12



### Connection



### Diagrams and graphs



- 1: distance
- 2: Standard sound cone
- 3: Medium sound cone
- 4: Narrow sound cone