

MASI68 I/O MODULE

4 digital inputs

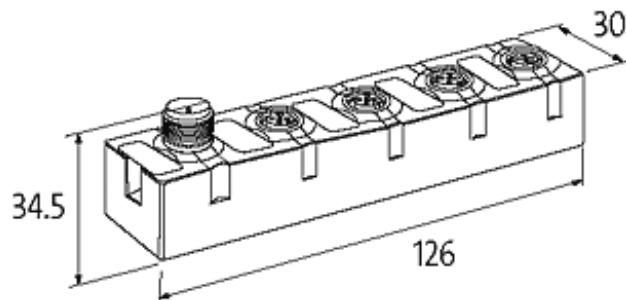
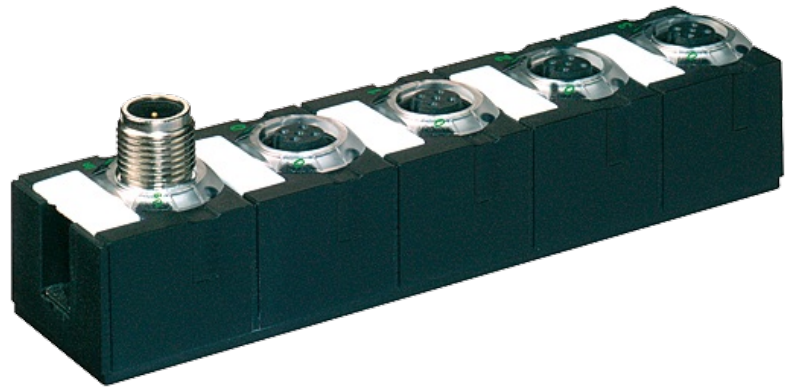
Compact module

DI4 - 0.2 A (AB) 4×M12

For connection cables please see chapter "Connection Technology" All housings are fully potted

[Link to Product](#)

Illustration



Product may differ from Image

Approvals



Power 24V



Input

Sensor supply US	max. 200 mA from AS-Interface (short-circuit and overload protected)
Type	for 3-wire sensors or mechanical switches, PNP, (EN 61131-2)
M12 configuration	Y-wiring

Connections

Fieldbus	M12, A-coded
I/O ports	M12, 4-pole
Technical Data	
Bus voltage (AS-Interface)	26.5...31.6 V DC
ASI-Power 24	yes
Total current	max. 250 mA
Addressing	via master or M12 connection and programming device
Address range	1...62 (1...31 A or B)
Profile (IO/ID/ID2 code)	S-0.A.2
General data	
Protection	IP68
Mounting method	screw fixing
Temperature range	-20...+60 °C (storage temperature -20...+70 °C)
Dimensions H × W × D	126×30×34.5 mm
Diagnostic	
Communication status	via LED
Diagnostic via LED	per module
Monitoring - no voltage	yes
Commercial data	
country of origin	DE
customs tariff number	85176200
minimum order quantity	1