



Model Number

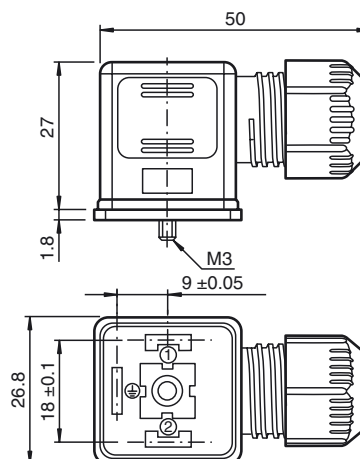
VMA-2+P

Valve connector Form A, non pre-wired

Features

- Valve connector as per EN 175301-803
- Degree of protection IP67

Dimensions



Technical data

General specifications

Number of pins	2 + PE
Connection 1	Valve connector DIN
Construction type 1	right angle

Electrical specifications

Operating voltage	U_B	250 V AC / 300 V DC
Operating current		max. 16 A
Volume resistance		< 4 m ω

Ambient conditions

Ambient temperature	-40 ... 90 °C (-40 ... 194 °F)
Storage temperature	-40 ... 125 °C (-40 ... 257 °F)

Mechanical specifications

Degree of protection	IP67
Connection	Valve connector Form A screw terminal for max. 1.5 mm ² ; 16 AWG
Material	
Contact surface	Ag
Body	PA, black
Seal	NBR
Cable	
Sheath diameter	4 ... 9 mm

Electrical connection

