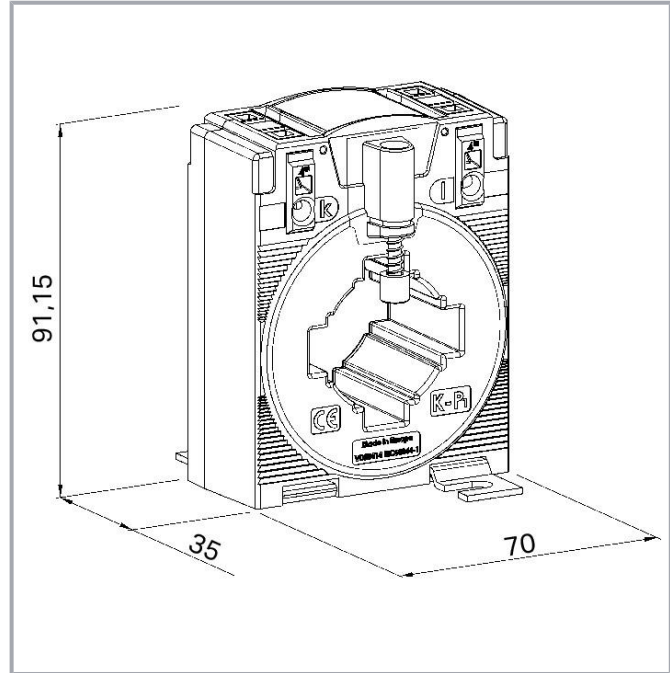
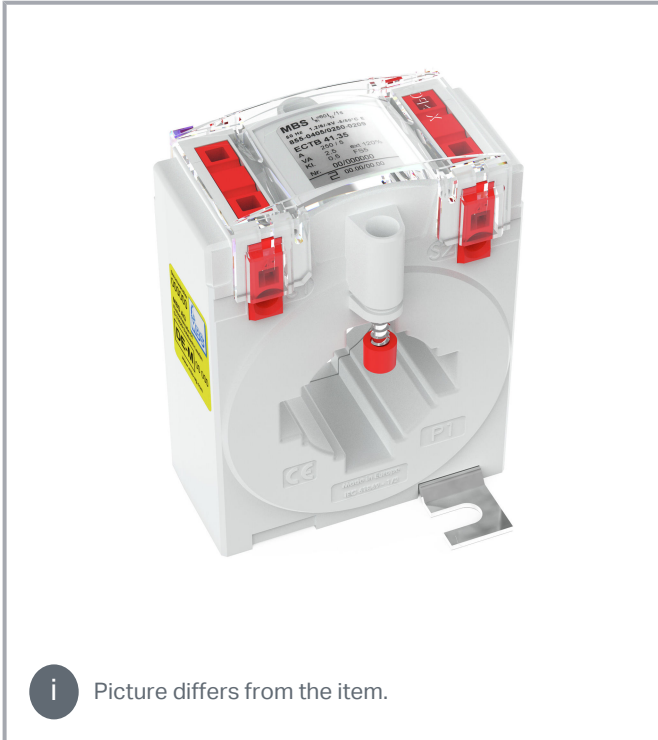


Data sheet | Item number: 855-405/200-209

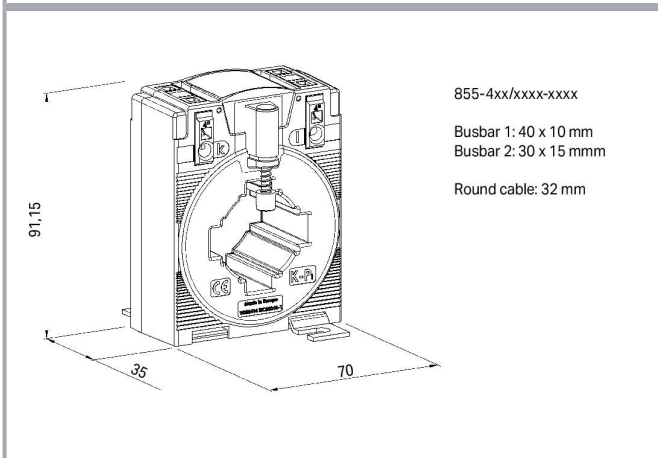
Plug-in current transformer; Primary rated current: 200 A; Secondary rated current: 5 A; Rated power: 2.5 VA; Accuracy class: 0.5; for billing purposes



www.wago.com/855-405/200-209



i Picture differs from the item.



Item description

Kurzbeschreibung:

Aufsteck-Stromwandler für die Verrechnungs-Messung der Serie 855 sind induktive, nach dem Trafo-Prinzip arbeitende, 1-Leiter-Stromwandler. Aufgrund des angewendeten Messprinzips eignen sich Stromwandler dieses Typs zur ausschließlichen Verwendung in Wechselstromnetzen.

Subject to changes. Please also observe the further product documentation!

WAGO Kontakttechnik GmbH & Co. KG
Hansastr. 27
32423 Minden
Phone: +49571 887-0 | Fax: +49571 887-169
Email: info.de@wago.com | Web: www.wago.com

Do you have any questions about our products?
We are always happy to take your call at +49 (571) 887-44222.

Die Aufsteck-Stromwandler entsprechen dem Modul D des Konformitätsbewertungsverfahrens und können für Verrechnungszwecke eingesetzt werden

Merkmale:

- Schraubenlose Anschluss technik mit CAGE-CLAMP® -Anschluss
- Verschiedene Montagemöglichkeiten
- Schockfest und rüttelsicher
- Hohe mechanische Haltekräfte
- Hohe Stromfestigkeit
- Ständig mit 120 % des primären Nennstroms überlastbar
- Niederspannungsstromwandler für Betriebsspannungen bis max. 1,2 kV
- Einsatz in 690 V-Netzen
- Zubehör: 879-3040; Energiezähler; mit Push-in CAGE CLAMP® und Hebel; Wandleranschluss (2PCT)

Data**Technical data****Input – current transformer**

Primary rated current	200 A
Rated continuous thermal current I_{cth}	$1.2 \times I_N$ (AC)
Rated short-time thermal current I_{th}	$60 \times I_N / 1 \text{ s}$ (max. 100 kA / 1 s)
Overcurrent limiting factor	FS5 / FS10 (type dependent; see type plate inscription)
Rated frequency	50 ... 60 Hz

Output – current transformer

Secondary rated current	5 A
Rated power S_r	2.5 VA

Measurement error

Accuracy class	0.5
----------------	-----

Safety and protection

Highest voltage for equipment U_m	AC 1.2 kV _{rms}
-------------------------------------	--------------------------

Subject to changes. Please also observe the further product documentation!

Test voltage

Test voltage	AC 6 kV; 50 Hz; 1 min
--------------	-----------------------

Connection data

Connection technology	CAGE CLAMP®
Solid conductor	0.08 ... 4 mm ² / 28 ... 12 AWG
Fine-stranded conductor	0.08 ... 4 mm ² / 28 ... 12 AWG
Strip length	9 ... 10 mm / 0.35 ... 0.39 inch

Physical data

Width	70 mm / 2.756 inch
Height	91.15 mm / 3.589 inch
Depth	52 mm / 2.047 inch

Mechanical data

Mounting type	Closed current transformer Installation on mounting plate Mounting on DIN-rail via DIN-rail adapter Mounting on round cable
---------------	--

Material data

Insulation class	E
Weight	259 g

Environmental requirements

Surrounding air temperature (operation)	-5 ... 50 °C
Surrounding air temperature (storage)	-25 ... 70 °C
Operating altitude (max.)	1000 m

Standards and specifications

Conformity marking	CE
Standards/Specifications	EN 61869-1 EN 61869-2

Subject to changes. Please also observe the further product documentation!

Commercial data

PU (SPU)	1 Stück
Packaging type	box
Country of origin	DE
GTIN	4055144041521
Customs tariff number	85043129900

Optional accessories

Tool



Item no.: 210-720

Operating tool; Blade: 3.5 x 0.5 mm; with a partially insulated shaft; multicoloured

www.wago.com/210-720

Mounting



Item no.: 855-9900

Carrier rail adapter

www.wago.com/855-9900



Item no.: 855-9910

Quick-mount kit

www.wago.com/855-9910

General accessories



Item no.: 2857-570/024-005

3-Phase Power Measurement Module; 3x400/690 V/5 A; Modbus RTU; Digital output; Configuration via software; Supply voltage: 24 VDC

www.wago.com/2857-570/024-005



Item no.: 857-550

Current signal conditioner; Current input signal; Current and voltage output signal; Digital output; Configuration via software; Supply voltage: 24 VDC; 6 mm module width; 2,50 mm²

www.wago.com/857-550



Item no.: 857-551

Current signal conditioner; Current input signal; Current and voltage output signal; Digital output; Configuration via software; Supply voltage: 24 VDC; 6 mm module width

www.wago.com/857-551



Item no.: 857-569

Power signal conditioner; Current and voltage input signal; Current and voltage output signal; Digital output; Configuration via software; Supply voltage: 24 VDC; 6 mm module width

www.wago.com/857-569



Item no.: 879-3040

Energy consumption meter; for transformer connection; 6 A; 3x230/400V; 50Hz; MID; Modbus® & M-Bus; 2 x S0 interface; 2CT

www.wago.com/879-3040

Downloads

Documentation

Bid Text

855-405/200-209

5 Oct 2020

docx

Download

doc - Datei

18.0 kB

Subject to changes. Please also observe the further product documentation!

WAGO Kontakttechnik GmbH & Co. KG

Hansastr. 27

32423 Minden

Phone: +49571 887-0 | Fax: +49571 887-169

Email: info.de@wago.com | Web: www.wago.com

Do you have any questions about our products?

We are always happy to take your call at +49 (571) 887-44222.

Environmental Product Compliance

Compliance Search

Environmental Product Compliance 855-405/200-209

URL

Download

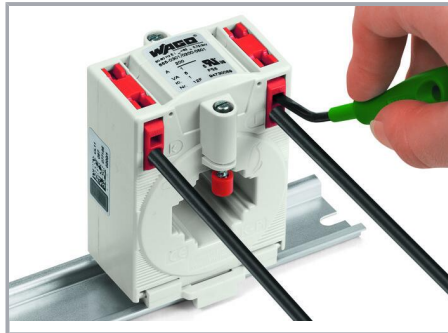
Plug-in current transformer; Primary rated current: 200 A; Secondary rated current: 5 A; Rated power: 2.5 VA; Accuracy class: 0.5; for billing purposes

Installation Notes

Conductor termination

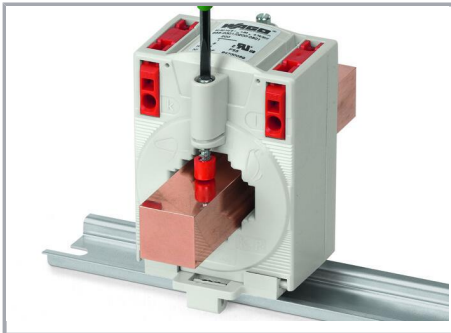


Conductor termination – screwdriver actuation perpendicular to conductor entry

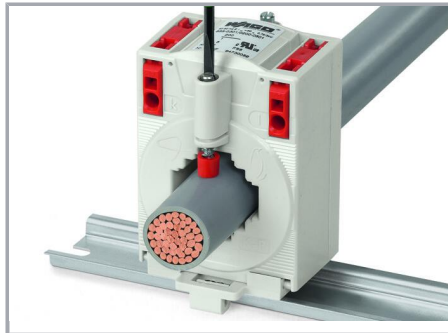


Conductor termination – screwdriver actuation parallel to conductor entry

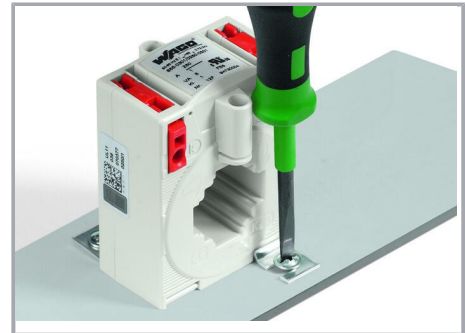
Installation



Installation on copper current bar



Installation on round cable



Installation on mounting plate

Subject to changes. Please also observe the further product documentation!



Mounting on DIN-rail via 855-9900 DIN-Rail Adapter



Installation via 855-9910 Quick-Mount Kit

Subject to changes. Please also observe the further product documentation!