

Clamps • DIN 6316 with goose-neck

23160.0022

Product Description

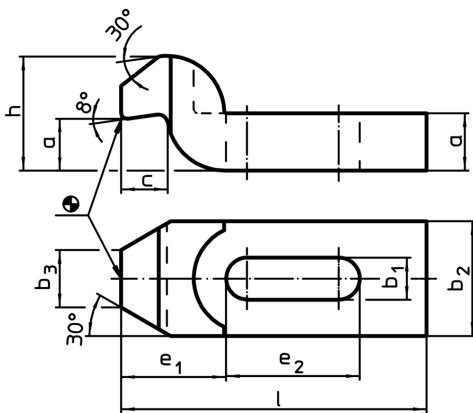
This clamp (clamping claw) according to DIN 6316 with goose-neck is mainly used in mechanical clamping technology for clamping workpieces.



Material

- Heat-treated steel, varnished

Drawing

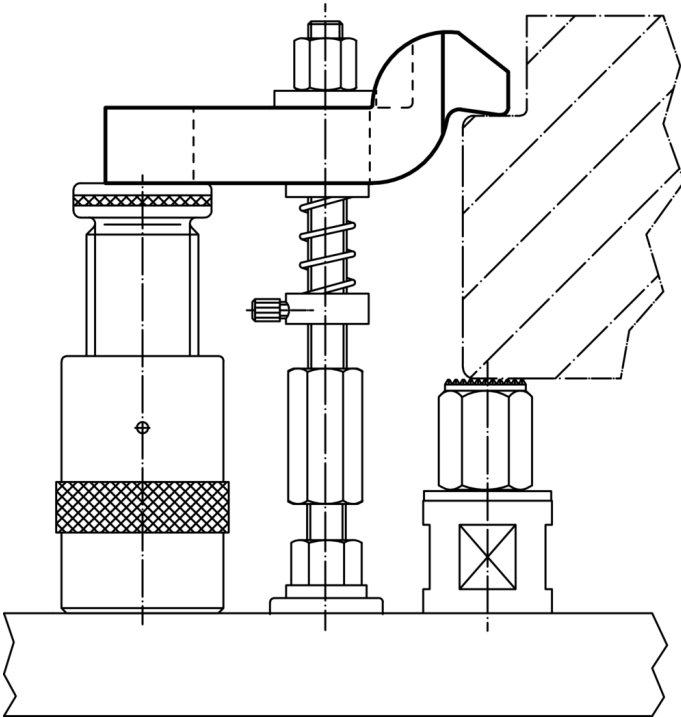


Order information

Nominal dimension b ₁ [mm]	Dimensions								For screws		Art. No. ¹⁾	
	l	a	b ₂	b ₃	c	e ₁	e ₂	h	[mm]	[inch]		
22	160	30	60	30	24	55	55	60	M20	3/4	1937	23160.0022

¹⁾ DIN standards do not include these dimensions.

Application example



Compliance

RoHS compliant

Compliant according to Directive 2011/65/EU and Directive 2015/863

Does not contain SVHC substances

No SVHC substances with more than 0.1% w/w contained - SVHC list [REACH] as of 10.06.2022

Does not contain Proposition 65 substances

No Proposition 65 substances included

<https://www.P65Warnings.ca.gov/>

Free from Conflict Minerals

This product does not contain any substances designated as "conflict minerals" such as tantalum, tin, gold or tungsten from the Democratic Republic of Congo or adjacent countries.