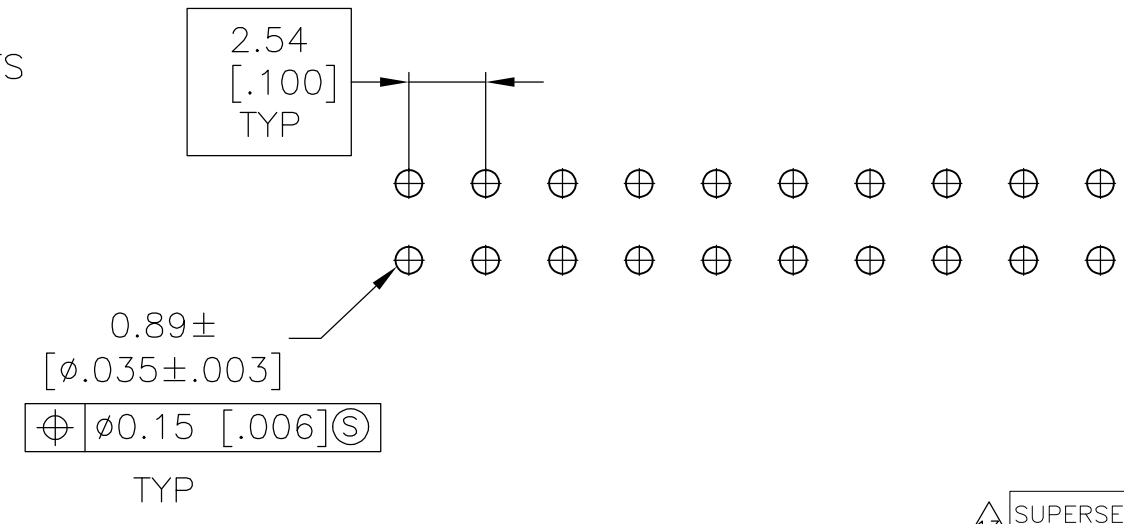
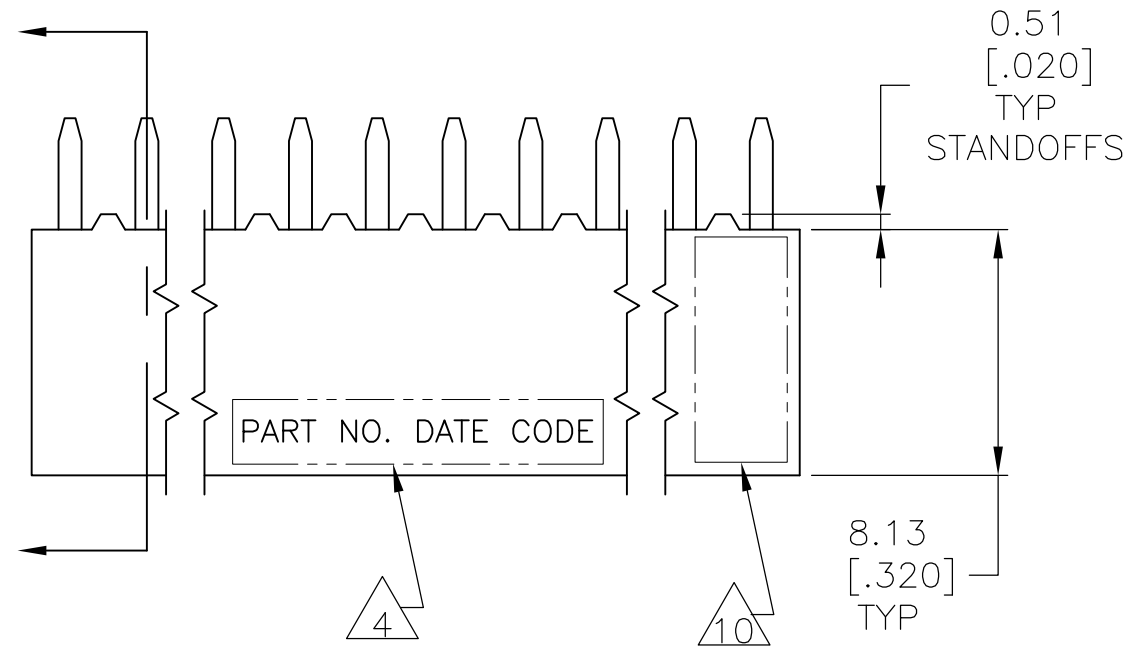
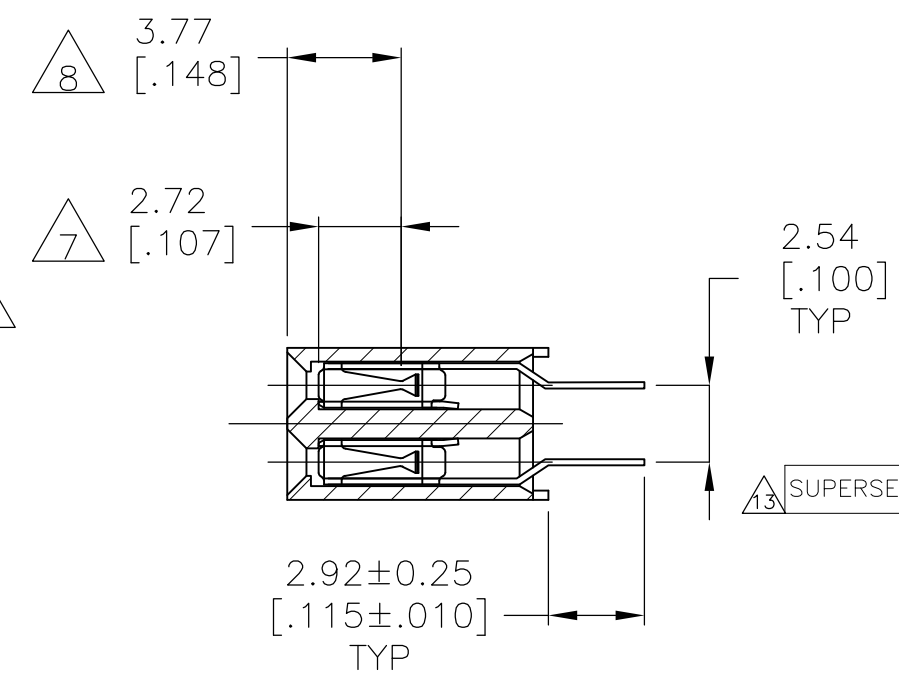
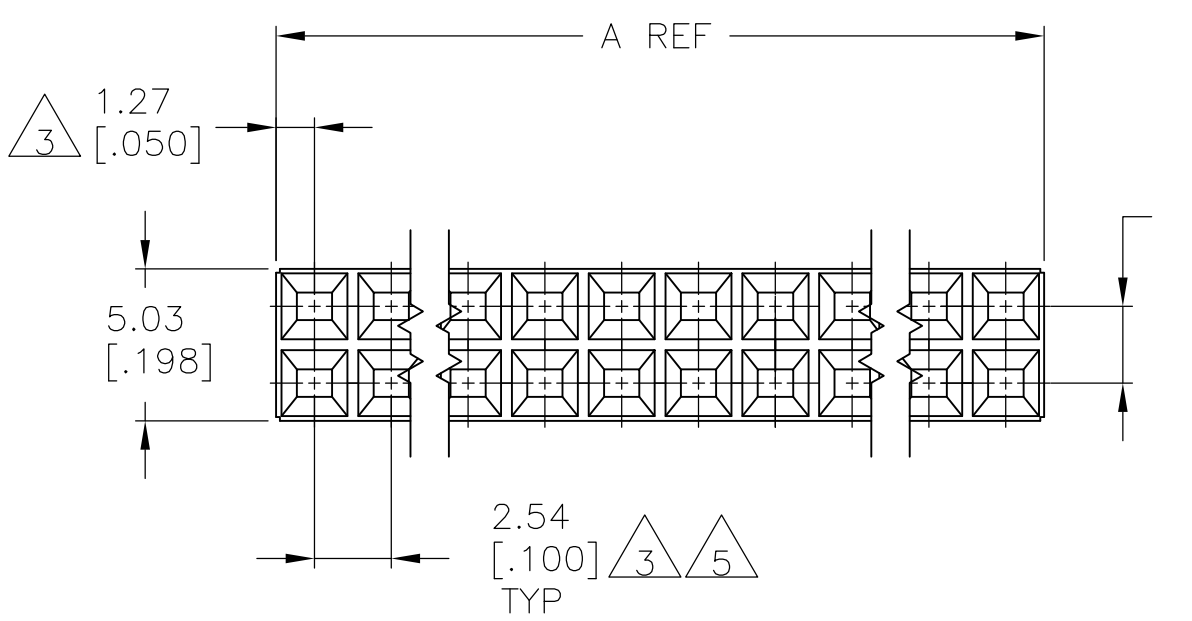


THIS DRAWING IS UNPUBLISHED. RELEASED FOR PUBLICATION  
 © COPYRIGHT - By - ALL RIGHTS RESERVED.

LOC		DIST		REVISIONS				
P	LTR	DESCRIPTION			DATE	DWN	APVD	
	R6	REVISED PER ECO-12-003255			13MAR12	KH	JO	



RECOMENDED PC BOARD HOLE PATTERN  
 PC BOARD THICKNESS 1.57[.062]



FINISH	B	A	NO OF POSN	PART NUMBER
13	2	80	4-534206-0	
13	2	78	3-534206-9	
13	2	76	3-534206-8	
13	2	74	3-534206-7	
13	2	72	3-534206-6	
13	2	70	3-534206-5	
13	2	68	3-534206-4	
13	2	66	3-534206-3	
13	2	64	3-534206-2	
13	2	62	3-534206-1	
13	2	60	3-534206-0	
13	2	58	2-534206-9	
13	2	56	2-534206-8	
13	2	54	2-534206-7	
13	2	52	2-534206-6	
13	2	50	2-534206-5	
13	2	48	2-534206-4	
13	2	46	2-534206-3	
13	2	44	2-534206-2	
13	2	42	2-534206-1	
13	2	40	2-534206-0	
13	2	38	1-534206-9	
13	2	36	1-534206-8	
13	2	34	1-534206-7	
13	2	32	1-534206-6	
13	2	30	1-534206-5	
13	2	28	1-534206-4	
13	2	26	1-534206-3	
13	2	24	1-534206-2	
13	2	22	1-534206-1	
13	2	20	1-534206-0	
13	2	18	534206-9	
13	2	16	534206-8	
13	2	14	534206-7	
13	2	12	534206-6	
13	2	10	534206-5	
13	2	8	534206-4	
13	2	6	534206-3	
13	2	4	534206-2	
13	2	2	534206-1	

- 1 HOUSING: FLAME RETARDANT, GLASS FILLED, POLYESTER, COLOR: BLACK. CONTACT: PHOSPHOR BRONZE
- 2 CONTACT: DUPLEX PLATED 0.76µm[.000030] GOLD IN CONTACT AREA, 3.81-7.62µm[.000150-.000300] BRIGHT TIN-LEAD ON LEADS ALL OVER 1.27µm[.000050] MINIMUM NICKEL
- 3 THESE DIMENSIONS PERTAIN TO CAVITY CENTERLINES ONLY - NOT TO CONTACT LOCATIONS
- 4 PART NUMBER AND DATE CODE ARE MARKED IN APPROXIMATE LOCATION SHOWN,EITHER SIDE.
- 5 TOLERANCE IS NON-CUMULATIVE.
- 6 2 POSITION DATE CODE IS MARKED OPPOSITE SIDE OF TE CONNECTIVITY LOGO.
- 7 POINT-OF-MEASUREMENT DIMENSION FOR PLATING THICKNESS (INSIDE CONTACT BEAM).
- 8 POINT-OF-CONTACT DIMENSION.
- 9 NO PART NUMBER MARKING REQUIRED FOR THIS PART.
- 10 TE LOGO AND CSA LOGO ARE MOLDED INTO HOUSING.
- 11 CONTACT: DUPLEX PLATED 0.76µm[.000030] MIN GOLD IN CONTACT AREA, 3.81-7.62µm[.000150-.000300] MATTE TIN ON LEADS ALL OVER 1.27µm[.000050] MIN NICKEL
- 12 ROHS 2002 /95/EC COMPLIANT.
- 13 OBSOLETE PARTS: OBSOLETE CIS STREAMLINING PER D.RENAUD/D.SINISI

THIS DRAWING IS A CONTROLLED DOCUMENT.

DIMENSIONS: mm [INCHES]	TOLERANCES UNLESS OTHERWISE SPECIFIED: 0 PLC ± - 1 PLC ± - 2 PLC ± 0.13[.005] 3 PLC ± - 4 PLC ± - ANGLES ± -	DWN M.BINNER 06NOV2002 CHK J.OLSON 06NOV02 APVD J.OLSON 06NOV02 PRODUCT SPEC 108-25022 APPLICATION SPEC 114-25018	NAME RECEPTACLE ASSEMBLY, MOD II, DOUBLE ROW, DUAL ENTRY, .100X.100CL, VERTICAL MOUNT, AMPMODU
MATERIAL 1	FINISH 2 11	WEIGHT - CUSTOMER DRAWING	SIZE A2 CAGE CODE 00779 DRAWING NO C=534206 RESTRICTED TO -

SCALE 4:1 SHEET 1 OF 2 REV R6

THIS DRAWING IS UNPUBLISHED. RELEASED FOR PUBLICATION  
 © COPYRIGHT - By - ALL RIGHTS RESERVED.

LOC	DIST	REVISIONS					
AD	00	P	LTR	DESCRIPTION	DATE	DWN	APVD
		-		SEE SHEET 1	-	-	-

FINISH	B	A	NO OF POSN	PART NUMBER
△13	99.06[3.900]	101.60[4.000]	80	9-534206-0
△13	96.52[3.800]	99.06[3.900]	78	8-534206-9
△13	93.98[3.700]	96.52[3.800]	76	8-534206-8
△13	91.44[3.600]	93.98[3.700]	74	8-534206-7
△13	88.90[3.500]	91.44[3.600]	72	8-534206-6
△13	86.36[3.400]	88.90[3.500]	70	8-534206-5
△13	83.82[3.300]	86.36[3.400]	68	8-534206-4
△13	81.28[3.200]	83.82[3.300]	66	8-534206-3
△13	78.74[3.100]	81.28[3.200]	64	8-534206-2
△13	76.20[3.000]	78.74[3.100]	62	8-534206-1
△13	73.66[2.900]	76.20[3.000]	60	8-534206-0
△13	71.12[2.800]	73.66[2.900]	58	7-534206-9
△13	68.58[2.700]	71.12[2.800]	56	7-534206-8
△13	66.04[2.600]	68.58[2.700]	54	7-534206-7
△13	63.50[2.500]	66.04[2.600]	52	7-534206-6
△13	60.96[2.400]	63.50[2.500]	50	7-534206-5
△13	58.42[2.300]	60.96[2.400]	48	7-534206-4
△13	55.88[2.200]	58.42[2.300]	46	7-534206-3
△13	53.34[2.100]	55.88[2.200]	44	7-534206-2
△13	50.80[2.000]	53.34[2.100]	42	7-534206-1
△13	48.26[1.900]	50.80[2.000]	40	7-534206-0
△13	45.72[1.800]	48.26[1.900]	38	6-534206-9
△13	43.18[1.700]	45.72[1.800]	36	6-534206-8
△13	40.64[1.600]	43.18[1.700]	34	6-534206-7
△13	38.10[1.500]	40.64[1.600]	32	6-534206-6
△13	35.56[1.400]	38.10[1.500]	30	6-534206-5
△13	33.02[1.300]	35.56[1.400]	28	6-534206-4
△13	30.48[1.200]	33.02[1.300]	26	6-534206-3
△13	27.94[1.100]	30.48[1.200]	24	6-534206-2
△13	25.40[1.000]	27.94[1.100]	22	6-534206-1
△13	22.86[.900]	25.40[1.000]	20	6-534206-0
△13	20.32[.800]	22.86[.900]	18	5-534206-9
△13	17.78[.700]	20.32[.800]	16	5-534206-8
△13	15.24[.600]	17.78[.700]	14	5-534206-7
△13	12.70[.500]	15.24[.600]	12	5-534206-6
△9	10.16[.400]	12.70[.500]	10	5-534206-5
△9	7.62[.300]	10.16[.400]	8	5-534206-4
△9	5.08[.200]	7.62[.300]	6	5-534206-3
△9	2.54[.100]	5.08[.200]	4	5-534206-2
△9	-	2.54[.100]	2	5-534206-1

THIS DRAWING IS A CONTROLLED DOCUMENT.		DWN M.BINNER 06NOV2002	<b>STE</b> TE Connectivity	
DIMENSIONS: mm [INCHES]		CHK J.OLSON 06NOV02		
TOLERANCES UNLESS OTHERWISE SPECIFIED: 0 PLC ± - 1 PLC ± - 2 PLC ± 0.13[.005] 3 PLC ± - 4 PLC ± - ANGLES ± -		APVD J.OLSON 06NOV02	NAME RECEPTACLE ASSEMBLY, MOD II, DOUBLE ROW, DUAL ENTRY, .100X.100CL, VERTICAL MOUNT, AMPMODU	
MATERIAL △1		PRODUCT SPEC 108-25022	SIZE A2	CAGE CODE 00779
FINISH △2 △11		APPLICATION SPEC 114-25018	DRAWING NO C=534206	RESTRICTED TO -
CUSTOMER DRAWING			SCALE 4:1	SHEET 2 of 2
			REV R6	