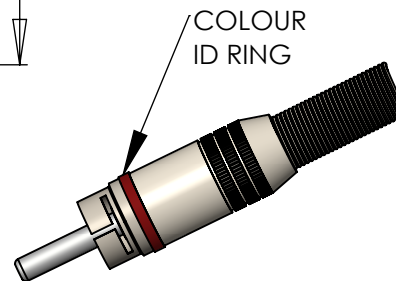
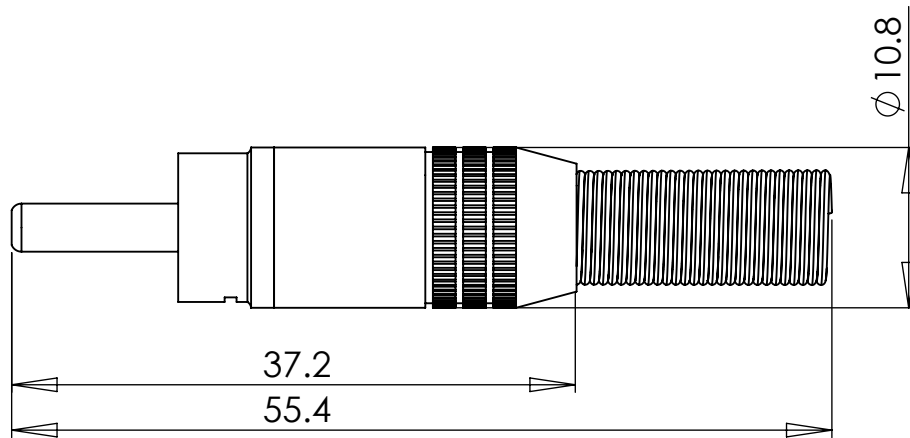
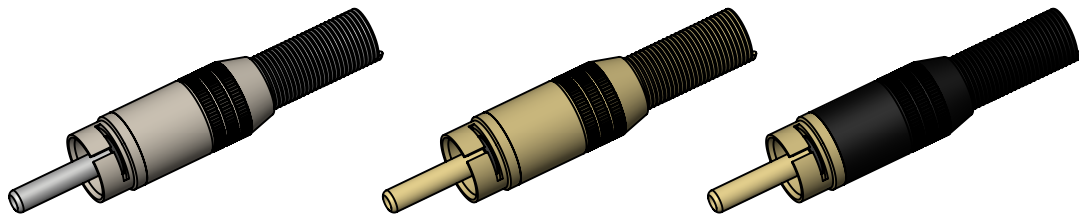


A RANGE OF HIGH QUALITY PHONO PLUGS  
MADE FROM MACHINED BRASS WITH VARIOUS  
PLATING OPTIONS.

- CENTRE CONTACT, HOLLOW TUBE
- GROUND CONTACT WITH 'T' SHAPE SLOT FOR MAXIMUM CONTACT AREA
- INTERNAL CLAMP FOR SECURE CABLE CONNECTION
- SPRING STRAIN RELIEF
- COLOUR CODE ID RINGS AVAILABLE FOR EASY IDENTIFICATION



MATERIAL PROPERTIES		
PART	MATERIAL	FINISH
CENTRE CONTACT	BRASS	SILVER OR FLASH GOLD PLATED
GROUND CONTACT	BRASS	NICKEL OR FLASH GOLD PLATED
INSULATION	NORYL SE1	
CABLE CLAMP	BRASS	SILVER OR FLASH GOLD PLATED
SPRING	SPRING STEEL	NICKEL, FLASH GOLD OR BLACK PLATED
CAP	BRASS	NICKEL, FLASH GOLD OR BLACK PLATED
ID RING	ACETAL	RED OR BLACK
ELECTRICAL PROPERTIES		
RATED CURRENT		5A
RATED VOLTAGE		50V
INSULATION RESISTANCE		100M W at 500VDC
MAXIMUM CABLE SIZE		5.5mm
TEMPERATURE PROPERTIES		
ACETAL, DELRIN, 500P BK602	ID RING	RTI 105°C CTI 600V, UL94-HB CLTE -40°C to 23°C 9.OE-5cm/cm°C
NORYL RESIN SE1		RTI 110°C CTI 400V, UL95-V1 CLTE -40°C to 40°C 8.OE-5cm/cm°C

PART NUMBERS		
PART No.	FINISH	COLOUR ID
330-0000	NICKEL PLATED	NONE
330-0100	NICKEL PLATED	BLACK
330-0500	NICKEL PLATED	RED
331-0000	FLASH GOLD PLATED	NONE
331-0100	FLASH GOLD PLATED	BLACK
331-0500	FLASH GOLD PLATED	RED
332-0000	FLASH GOLD PLUG / BLACK CAP	NONE
332-0100	FLASH GOLD PLUG / BLACK CAP	BLACK
332-0500	FLASH GOLD PLUG / BLACK CAP	RED