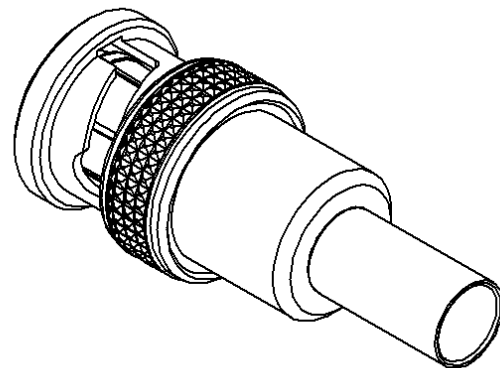
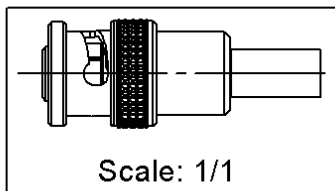
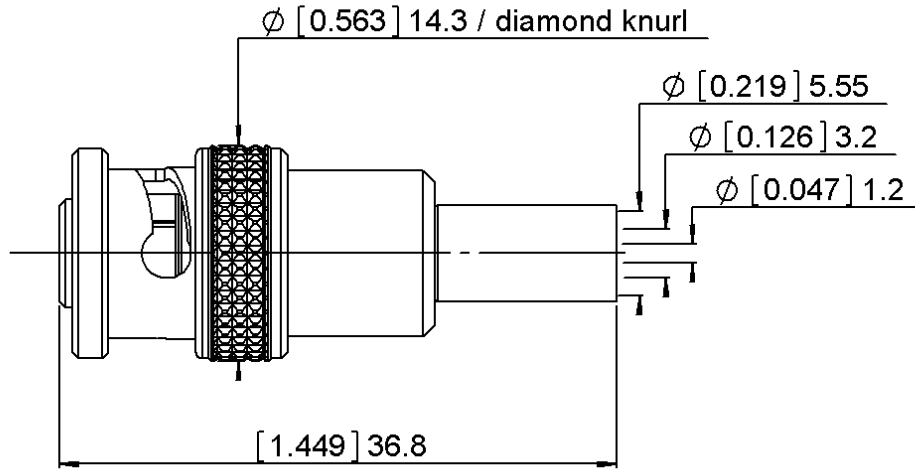


PAGE 1/2	ISSUE 1446 C	SERIES BNC-HT / MHV	PART NUMBER R316072000
----------	--------------	----------------------------	-------------------------------



All dimensions are in mm.



COMPONENTS	MATERIALS	PLATING (μm)
Body	BRASS	NICKEL 2
Center contact	BRASS	SILVER
Outer contact	-	-
Insulator	PTFE	
Gasket	-	
Others parts	BRASS	NICKEL 2
-	-	-
-	-	-

PAGE 2/2	ISSUE 1446 C	SERIES BNC-HT / MHV	PART NUMBER R316072000
-----------------	---------------------	----------------------------	-------------------------------

PACKAGING

Standard 100	Unit Contact us	Other Contact us
------------------------	---------------------------	----------------------------

ELECTRICAL CHARACTERISTICS

Impedance	50	Ω
Frequency	0-2	GHz
VSWR	1.2 + 0.2000	x F(GHz) Maxi
Insertion loss	-	√F(GHz) dB Maxi
RF leakage	-	- F(GHz) dB Maxi
Voltage rating	-	Veff Maxi
Dielectric withstanding voltage	6000*	Veff mini
Insulation resistance	-	MΩ mini

MECHANICAL CHARACTERISTICS

Center contact retention		
Axial force – Mating End	0	N mini
Axial force – Opposite end	0	N mini
Torque	-	N.cm mini
Recommended torque		
Mating	0	N.cm
Panel nut	0	N.cm
Clamp nut	NA	N.cm
A/F clamp nut	0.0000	mm
Mating life	500	Cycles mini
Weight	13.7900	g

ENVIRONMENTAL

Operating temperature	-55/+155	°C
Hermetic seal	-	Atm.cm3/s
Panel leakage	-	

SPECIFICATION

CABLE ASSEMBLY

Stripping	a	b	c	d	e	f
mm	2.5	6.3	19.5	0	0	0

Assembly instruction: **Crimp 01**

Recommended cable(s)

KX 15
RG 141

Characteristics indicated on this data sheet are those that can be achieved with the highest performance cable. Intrinsic limitations of the cable may diminish the performance of the assembly

Cable retention

- pull off	90	N mini
- torque	NA	N.cm

TOOLING

Part Number	Description	Hexagon
R282293000	CRIMPING TOOL M22520/5-01	
R282235011	CRIMPING DIES M22520/5-11	
R282223000	CRIMPING TOOL	5.41

OTHER CHARACTERISTICS

***Test frequency at 60Hz;
10 KVeff for mated pair**