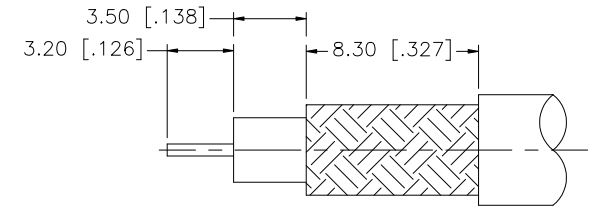
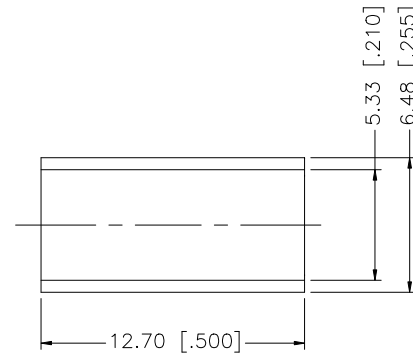
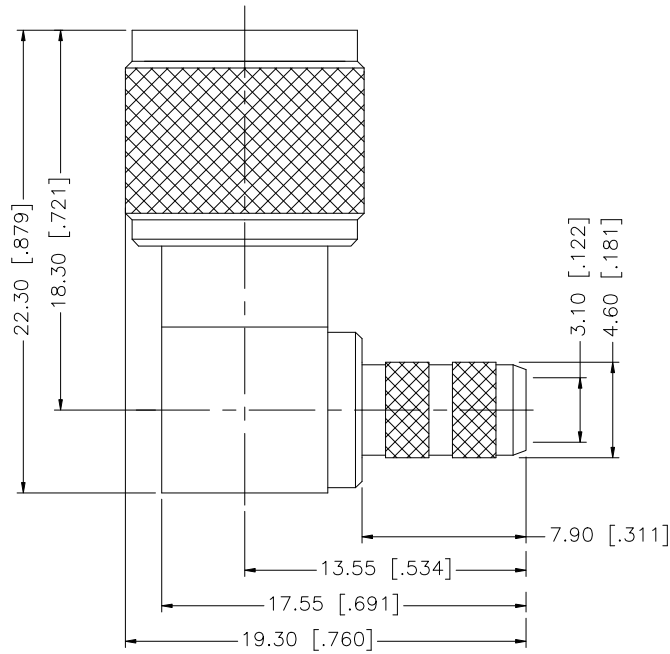
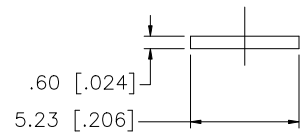


REV.	DATE	ECR NO.	DESCRIPTION
NC	04/30/00	-	INITIAL RELEASE
A	11/22/08	-	UPDATE DRAWING FORMAT



RECOMMENDED CABLE STRIPPING DIM'S



NOTES:

1. CRIMPED FERRULE HEX CRIMP SIZE.213" [5.41]

DESCRIPTION	MATERIAL	FINISH	QTY	DO NOT SCALE DRAWING	APPROVALS	DATE	Amphenol Connex								
					DRAWN	GRS	11/22/08	PART DESCRIPTION MINI-UHF R/A CRIMP PLUG (FOR RG-58/U, 58C/U CABLE)							
					CHECKED										
					ISSUED										
					SHEET	1 OF 1		PART NO. 182323							
					CAD FILE	C:/182/182323.DWG		DWG. NO.	182323.DWG	REV.	A	SIZE	A	SCALE	NA

UNLESS OTHERWISE SPECIFIED DIMENSIONS ARE IN MILLIMETERS. DIMENSIONS IN [] ARE IN INCHES AND FOR CUSTOMER REFERENCE ONLY.

UNLESS OTHERWISE SPECIFIED TOLERANCES FOR MILLIMETERS ARE:
0.5 - 8mm ± 0.20mm
8 - 30mm ± 0.40mm
30 - 120mm ± 0.50mm

UNLESS OTHERWISE SPECIFIED TOLERANCES FOR INCHES ARE:
.020 - .315 = ± 0.007"
.315 - 1.180 = ± 0.015"
1.180 - 4.724 = ± 0.020"