

TECHNICAL SPECIFICATIONS

D-Sub Hood:

Material: Zinc, Nickel Plated
 Operating Temperature: -40°C to +120°C
 Cable Entry: Top Entry
 Rubber Grommet RGS
 Strain relief: Clamp + Insert
 Thumbscrews: **Long Jackscrews**
 UNC 4-40 (Standard)
 Cable O.D: Up to 11.5mm

High Density D-Sub Solder Cup:

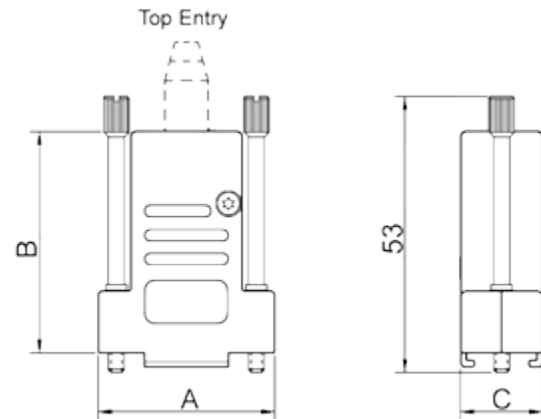
Insulator: Glass filled TP, UL94 V-0
 Shell: Steel, Tin Plated
 Contact pins: Copper Alloy
 Stamped & Formed Pins Class 3, 100 inserts min.
 Contact Plating: Gold flash over Nickel
 Operating Temperature: -55°C to +85°C
 Withstanding voltage: >1000V Rms to 50 Hz
 for 1 minute
 Current Rating: 3A
 Insulator resistance: >5000MΩ min.

Features:

- Available in Sizes HD15-26-44-62
- Long Jackscrews
- 360° EMI Shielding
- Quick assembly
- Pre-mounted locking screws



...with Connectors from:
Amphenol



Size DTSL	Dim A	Dim B	Dim C
9-way	32,2	42,0	15,0
15-way	40,8	42,3	15,0
25-way	54,0	42,3	15,0
37-way	70,5	48,0	15,0

Ordering information:

High Density D-Sub Connector Kits

Size:	P/N - Kitted:	Product Code - MALE Conn. Kit
9-way	6355-5035-01	DTSL09-RG-LJS-T+L717HDE15P
15-way	6355-5035-02	DTSL15-RG-LJS-T+L717HDA26P
25-way	6355-5035-03	DTSL25-RG-LJS-T+L717HDB44P
37-way	6355-5035-04	DTSL37-RG-LJS-T+L717HDC62P

Size:	P/N - Kitted:	Product Code - FEMALE Conn. Kit
9-way	6355-5035-11	DTSL09-RG-LJS-T+L77HDE15S
15-way	6355-5035-12	DTSL15-RG-LJS-T+L77HDA26S
25-way	6355-5035-13	DTSL25-RG-LJS-T+L77HDB44S
37-way	6355-5035-14	DTSL37-RG-LJS-T+L77HDC62S



Encitech AB
 Rörkullsvägen 4
 SE-302 41 HALMSTAD, Sweden

Tel.: +46-(0)35-15 13 90
 Fax: +46-(0)35-15 13 99

www.encitech.com