

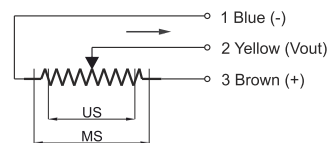
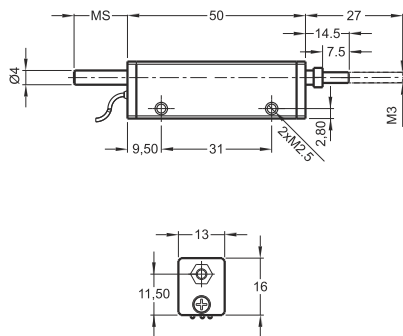
Linear Potentiometer Ultra Slim Body Serie

- Measuring range 10 - 50 mm
- Long mechanical life
- Excellent repeatability <0.01 mm
- Infinite resolution



Technical specifications

| | |
|-----------------------------|-----------------------------|
| Measurement stroke | 10 to 50 mm |
| Linearity | ±%0,5 (<75mm) |
| Repeatability | < 0.01 mm |
| Resolution | Infinite |
| Resistance | 2 kOhm or 5 kOhm or 10 kOhm |
| Resistance tolerance | ± %20 |
| Load resistance | 100 kOhm min. |
| Recommended cursor current | <1 µA |
| Permissible applied voltage | 28 VDC max. |
| Electrical connections | Cable output |
| Displacement speed | < 5 m/s |
| Mechanical life | 50 million cycles |
| Case dimensions | 13x16 mm |
| Case material | Anodized aluminium |
| Rod material | Stainless steel |
| Rod diameter | Ø4 mm |
| Mechanical fixing | Screws |
| IP degree | IP 63 |
| Operating temperature | -20°C ... +80°C |
| Storage temperature | -30°C ... +90°C |



| | | | |
|---------------------------|----|----|----|
| LMT(mm) | 10 | 14 | 25 |
| US (Usefull Stroke) | 10 | 14 | 25 |
| MS (Mechanical Stroke) | 12 | 15 | 27 |
| L (Total Length) | 69 | 77 | 89 |

| Model | Measurement stroke (mm) | Linearity (%) | Resistance (KOhm) | Connector / Cable |
|---------------|-------------------------|--------------------|---|--|
| (example) LMT | 25 | D | 5K | 0M15 |
| LMT | 10 ... 25mm | D : ± %0,5 (<75mm) | 2K : 2 KOhm 5K : 5 KOhm 10K : 10 KOhm | 0M15 : 0,15 meter cable (standard) 1M : 1 meter cable |