

3-582118-2 ✓ ACTIVE



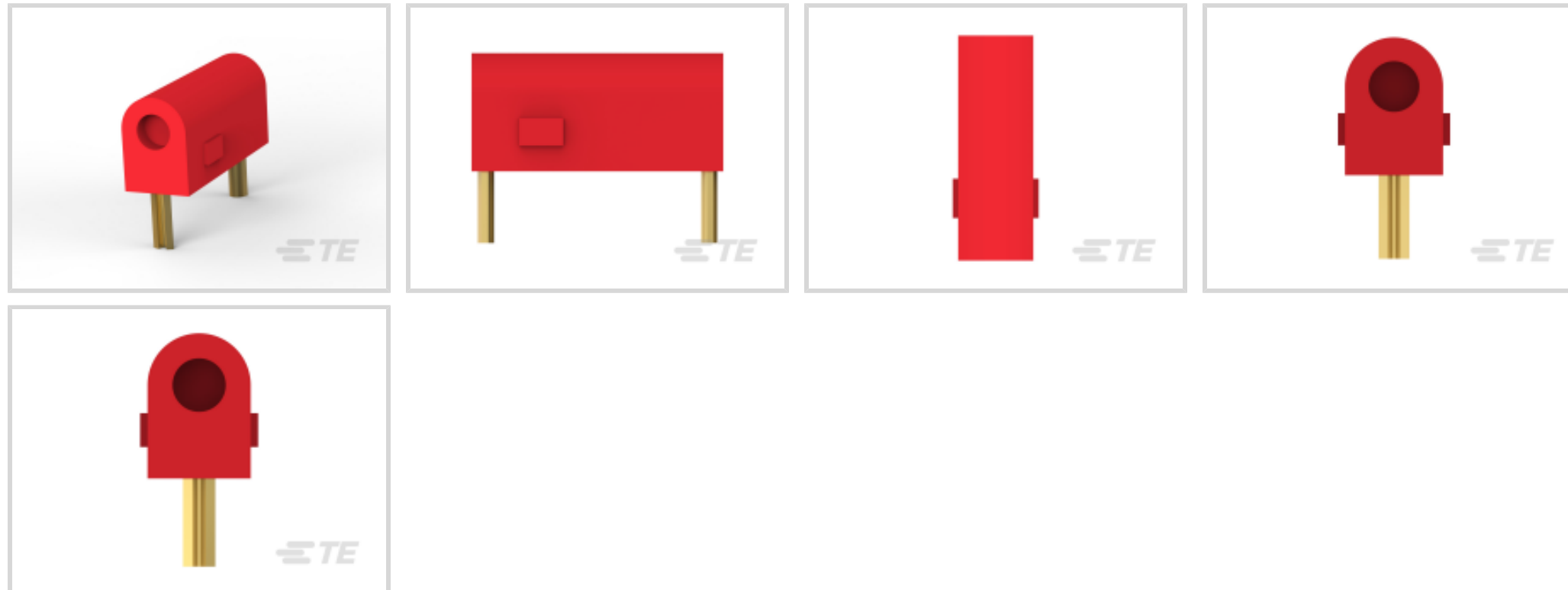
### Test Probe 130

TE Internal #: 3-582118-2

Test Probe 130, Test Probe Receptacles, Height Above PC Board .23 in [5.84 mm], Side Entry, Gold, Cable-to-Board, 1 Position, Printed Circuit Board

[View on TE.com >](#)

Connectors > PCB Connectors > PCB Connector Accessories > Test Probe Receptacles



Height Above PC Board: **5.84 mm [ .23 in ]**

Funnel Entry: **Without**

Test Probe Hole Location: **Side Entry**

Contact Mating Area Plating Material: **Gold**

Connector System: **Cable-to-Board**

## Features

### Product Type Features

Funnel Entry	Without
Test Probe Hole Location	Side Entry
Connector System	Cable-to-Board
Connector & Contact Terminates To	Printed Circuit Board

### Configuration Features

Number of Positions	1
---------------------	---

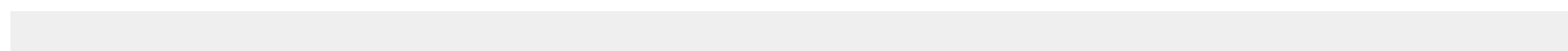
### Contact Features

Contact Base Material	Brass
Contact Mating Area Plating Material	Gold
Contact Current Rating (Max)	4.75 A

### Mechanical Attachment

Connector Mounting Type	Board Mount
-------------------------	-------------

### Dimensions





Height Above PC Board	5.84 mm[.23 in]
-----------------------	-----------------

### Usage Conditions

Operating Temperature Range	-55 – 85 °C[-67 – 185 °F]
-----------------------------	---------------------------

### Operation/Application

Circuit Application	Power & Signal
---------------------	----------------

## Product Compliance

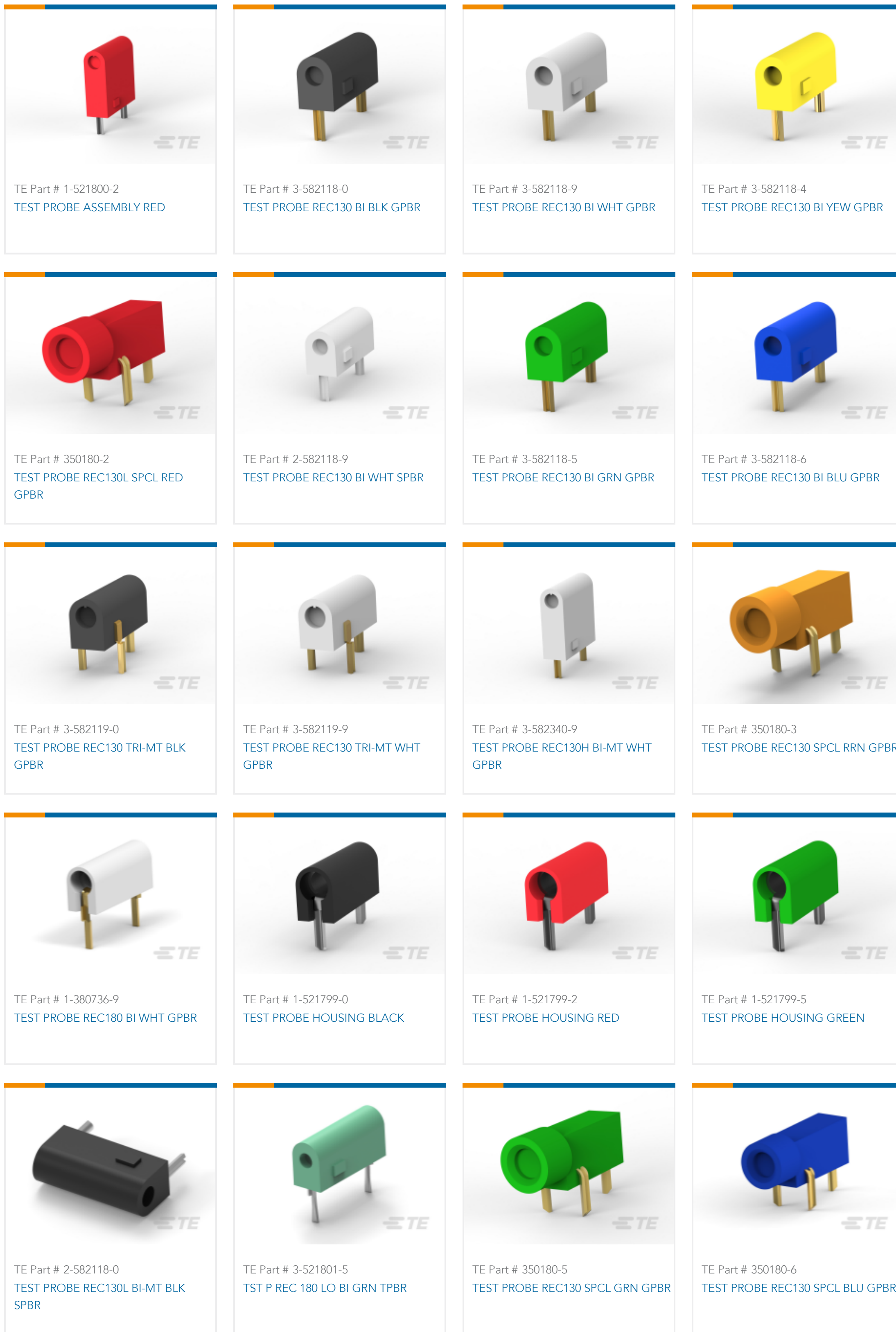
[For compliance documentation, visit the product page on TE.com>](#)

EU RoHS Directive 2011/65/EU	Compliant
EU ELV Directive 2000/53/EC	Compliant
China RoHS 2 Directive MIIT Order No 32, 2016	No Restricted Materials Above Threshold
EU REACH Regulation (EC) No. 1907/2006	Current ECHA Candidate List: JAN 2021 (211) Candidate List Declared Against: JAN 2021 (211) Does not contain REACH SVHC
Halogen Content	Low Halogen - Br, Cl, F, I < 900 ppm per homogenous material. Also BFR/CFR/PVC Free
Solder Process Capability	Wave solder capable to 240°C

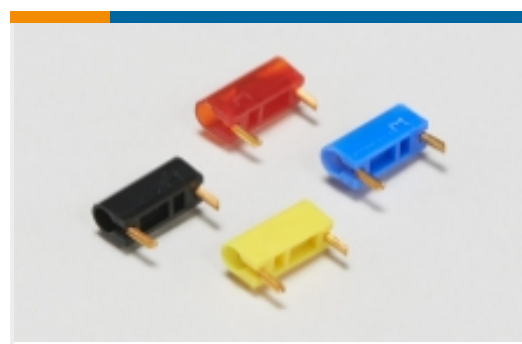
#### Product Compliance Disclaimer

This information is provided based on reasonable inquiry of our suppliers and represents our current actual knowledge based on the information they provided. This information is subject to change. The part numbers that TE has identified as EU RoHS compliant have a maximum concentration of 0.1% by weight in homogenous materials for lead, hexavalent chromium, mercury, PBB, PBDE, DBP, BBP, DEHP, DIBP, and 0.01% for cadmium, or qualify for an exemption to these limits as defined in the Annexes of Directive 2011/65/EU (RoHS2). Finished electrical and electronic equipment products will be CE marked as required by Directive 2011/65/EU. Components may not be CE marked. Additionally, the part numbers that TE has identified as EU ELV compliant have a maximum concentration of 0.1% by weight in homogenous materials for lead, hexavalent chromium, and mercury, and 0.01% for cadmium, or qualify for an exemption to these limits as defined in the Annexes of Directive 2000/53/EC (ELV). Regarding the REACH Regulation, the information TE provides on SVHC in articles for this part number is based on the latest European Chemicals Agency (ECHA) 'Guidance on requirements for substances in articles' posted at this URL: <https://echa.europa.eu/guidance-documents/guidance-on-reach>

## Compatible Parts

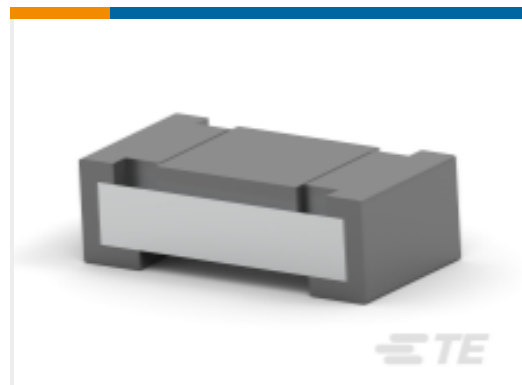
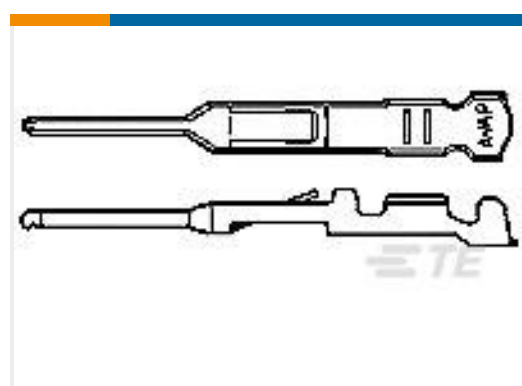


Also in the Series | [Test Probe 130](#)



Test Probe Receptacles(21)

## Customers Also Bought

TE Part #1-2176049-5  
Thick Film Resistor: Current SenseTE Part #1586518-2  
08P CMNL HDR ASSY PC NATL LFTE Part #1-1734037-2  
Champ 050 series 120pos,Au over PdNiTE Part #1586515-2  
04P CMNL HDR ASSY PC UL94 LFTE Part #170429-2  
EIS REC CONT 26-20 AWG PHOS TNTE Part #172211-3  
EIS CAP HSG FREE HANG 3P  
NATUTURALTE Part #1-2176326-4  
CRGP 0603 120R 1%TE Part #1825190-3  
DIP Shunt,4 posTE Part #1-5499786-0  
AMP-LATCH UNIVERSAL HEADERSTE Part #9-1879336-7  
CPF 0603 2K32 1% 50PPM 1K RL

## Documents

### CAD Files

[3D PDF](#)

[3D](#)

### Customer View Model

[ENG\\_CVM\\_CVM\\_3-582118-2\\_AP.2d\\_dxf.zip](#)

English

### Customer View Model

[ENG\\_CVM\\_CVM\\_3-582118-2\\_AP.3d\\_igs.zip](#)



English

### Customer View Model

[ENG\\_CVM\\_CVM\\_3-582118-2\\_AP.3d\\_stp.zip](#)

English

By downloading the CAD file I accept and agree to the [Terms and Conditions](#) of use.

### Datasheets & Catalog Pages

[PRINTED CIRCUIT BOARD TERMINALS AND DISCONNECTS](#)

English

### Product Specifications

[Application Specification](#)

English

[Test Probe Receptacle Contacts](#)

English

### Product Environmental Compliance

[MD\\_3-582118-2\\_09252018642\\_dmtec](#)

English

[MD\\_3-582118-2\\_09252018642\\_dmtec](#)

English