

36925 ✓ ACTIVE

SOLISTRAND

TE Internal #: 36925

Ring Terminals & Spade Terminals, Ring Tongue, 00AWG Wire Size, 67 – 70mm<sup>2</sup> Wire Size, 119500 – 150500CMA Wire Size, M12 / 1/2

[View on TE.com >](#)



Terminals & Splices > Ring Terminals & Spade Terminals



Terminal & Splice Type: **Ring Tongue**

Wire Size: **119500 – 150500 CMA**

Ring & Spade Stud Size: **1/2, M12**

### Features

#### Product Type Features

Shape Description	RING-049
Ring & Spade Stud Size	1/2, M12
Ring & Spade Barrel Type	Closed Barrel
Sealable	No
Insulated	No
Ring & Spade Wire/Cable Type	Regular Wire
Support Style	Non - Insulation Support

#### Configuration Features

Number of Holes	1
Terminal Angle	Straight

#### Body Features

Inspection Slot	No
Weight per Piece	28.552 g
Ring & Spade Plating Material	Copper, Tin

#### Contact Features

Terminal & Splice Type	Ring Tongue
Ring & Spade Terminal Orientation	Offset

#### Mechanical Attachment

Wire Insulation Support	Without
-------------------------	---------

### Dimensions

Wire Size	119500 – 150500 CMA
Stud Diameter	13.08 mm[.515 in]
Tongue Thickness	2.03 mm[.08 in]
Ring & Spade Overall Length	51.56 mm[2.03 in]
Barrel Inside Diameter	17.6 mm[.693 in]

### Usage Conditions

Insulation Requirement	Uninsulated
Operating Temperature Range	170 °C[338 °F]

### Operation/Application

Heavy Duty	No
------------	----

### Industry Standards

Government Qualified	No
----------------------	----

### Packaging Features

Packaging Quantity	50
Ring & Spade Packaging Method	Loose Piece

### Product Compliance

[For compliance documentation, visit the product page on TE.com>](#)

EU RoHS Directive 2011/65/EU	Compliant
EU ELV Directive 2000/53/EC	Compliant
China RoHS 2 Directive MIIT Order No 32, 2016	No Restricted Materials Above Threshold
EU REACH Regulation (EC) No. 1907/2006	Current ECHA Candidate List: JAN 2021 (211) Candidate List Declared Against: JAN 2021 (211) Does not contain REACH SVHC
Halogen Content	Low Halogen - Br, Cl, F, I < 900 ppm per homogenous material. Also BFR/CFR/PVC Free
Solder Process Capability	Not applicable for solder process capability

#### Product Compliance Disclaimer

This information is provided based on reasonable inquiry of our suppliers and represents our current actual knowledge based on the information they provided. This information is subject to change. The part numbers that TE has identified as EU RoHS compliant have a maximum concentration of 0.1% by weight in homogenous materials for lead, hexavalent chromium, mercury, PBB, PBDE, DBP, BBP, DEHP, DIBP, and 0.01% for cadmium, or qualify for an exemption to these

limits as defined in the Annexes of Directive 2011/65/EU (RoHS2). Finished electrical and electronic equipment products will be CE marked as required by Directive 2011/65/EU. Components may not be CE marked. Additionally, the part numbers that TE has identified as EU ELV compliant have a maximum concentration of 0.1% by weight in homogenous materials for lead, hexavalent chromium, and mercury, and 0.01% for cadmium, or qualify for an exemption to these limits as defined in the Annexes of Directive 2000/53/EC (ELV). Regarding the REACH Regulation, the information TE provides on SVHC in articles for this part number is based on the latest European Chemicals Agency (ECHA) 'Guidance on requirements for substances in articles' posted at this URL: <https://echa.europa.eu/guidance-documents/guidance-on-reach>

## Compatible Parts



TE Part # 1490413-6  
HYP10 SOLIS 2/0AWG NEST



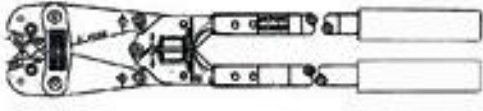
TE Part # 1490414-3  
HYP10 SOLIS HD 1/0AWG INDENTER



TE Part # 48131  
HYP8 SOLIS 1/0-4/0AWG INDENTER



TE Part # 45439  
HYP8/10 SOLIS 2/0AWG DIE SET



TE Part # 600850  
ROTO-CRIMP TOOL (ASI)



TE Part # 4-1377172-1  
SMP 0-0036925-0



TE Part # 48133  
HYP8 SOLIS 2/0AWG NEST


## Customers Also Bought



TE Part #320743  
TERMINAL,SOLIS R 4 7/16



TE Part #1-480722-0  
04P CMNL PLUG HSG W/LCK NATL



TE Part #320741  
TERMINAL,SOLIS R 2 7/16



TE Part #2-34837-4  
TERMINAL,PG R 12-10 1/2



TE Part #3-641237-8  
Nylon Gold Plated Receptacle: 2.54 mm, No Mating Alignment, MTA 100



TE Part #1-968849-2  
AMP MCP, RECEPTACLE AND TAB



TE Part #DTM06-12SD-EE04  
DEUTSCH DTM HOUSINGS



TE Part #2-456407-8  
WIRE CRIMPER .100 F



## Documents

### Product Drawings

[TERMINAL,SOLIS R 2/0 1/2](#)

English

### CAD Files

[3D PDF](#)

3D

Customer View Model

[ENG\\_CVM\\_CVM\\_36925\\_AC.2d\\_dxf.zip](#)

English

Customer View Model

[ENG\\_CVM\\_CVM\\_36925\\_AC.3d\\_igs.zip](#)

English

Customer View Model

[ENG\\_CVM\\_CVM\\_36925\\_AC.3d\\_stp.zip](#)

English

By downloading the CAD file I accept and agree to the [Terms and Conditions](#) of use.

### Product Environmental Compliance

[MD\\_36925\\_07292015923\\_dmtec](#)

English

[MD\\_36925\\_07292015923\\_dmtec](#)

English

### Agency Approvals

[UL Report](#)

English

[UL Report](#)

English