

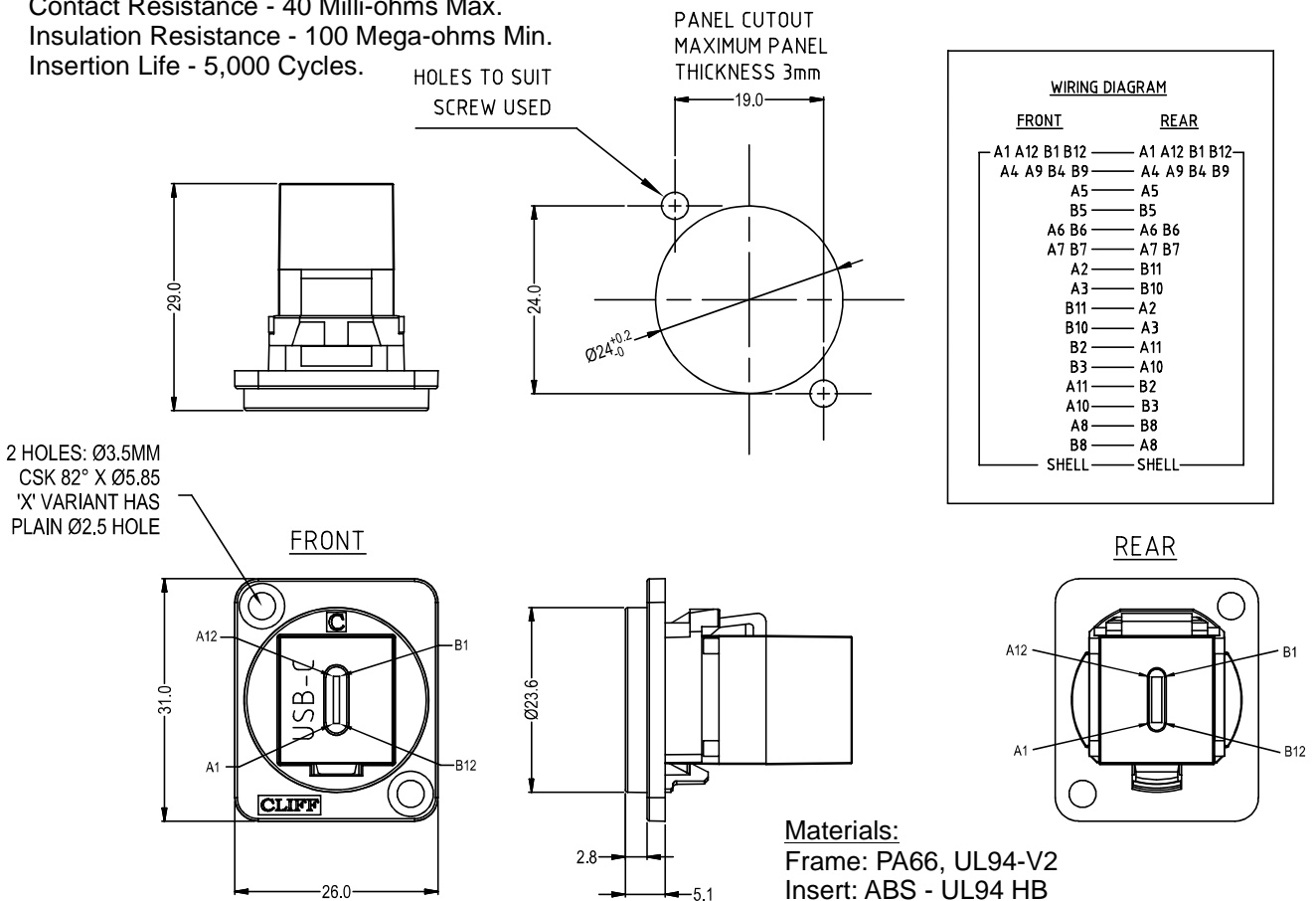


# FEEDTHROUGH CONNECTOR USB-C FEMALE - FEMALE



- Part No. Description**  
**CP30201** - USB-C Female - Female, CSK Holes  
**CP30201X** - USB-C Female - Female, Plain Holes

**USB-C Specification:**  
 Maximum Rated Current - 3A  
 Maximum Power - 60W  
 Withstanding Voltage - 100V for 1 minute.  
 Contact Resistance - 40 Milli-ohms Max.  
 Insulation Resistance - 100 Mega-ohms Min.  
 Insertion Life - 5,000 Cycles.



**N.B.**  
**FUNCTIONALITY IS AFFECTED BY CABLE QUALITY, LENGTH AND CABLE WIRING CONFIGURATION.**  
**NOT COMPATIBLE FOR POWER DELIVERY (PD) CHARGING.**