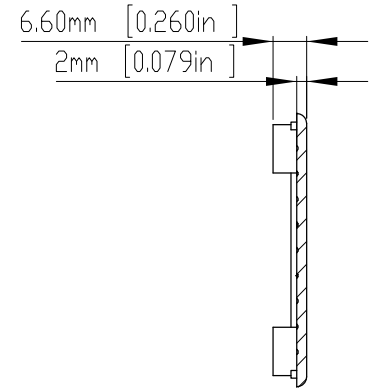
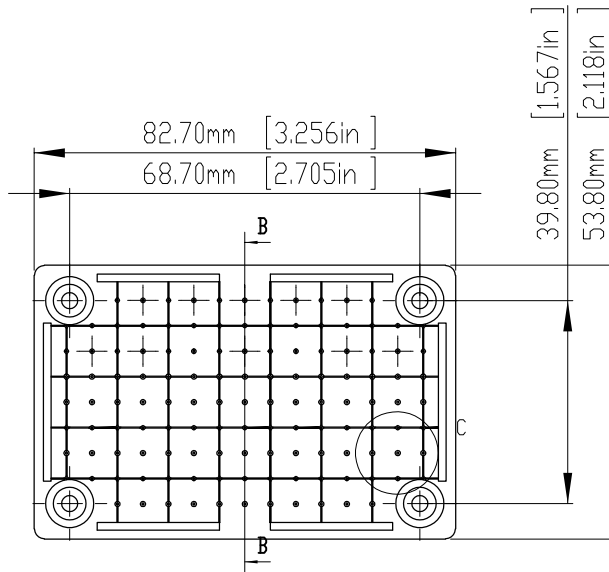
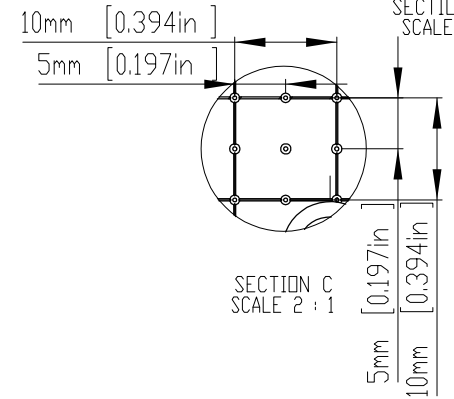
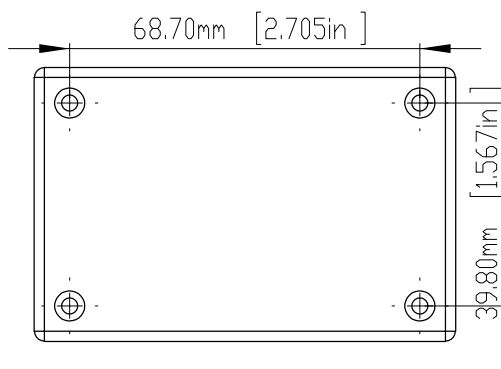


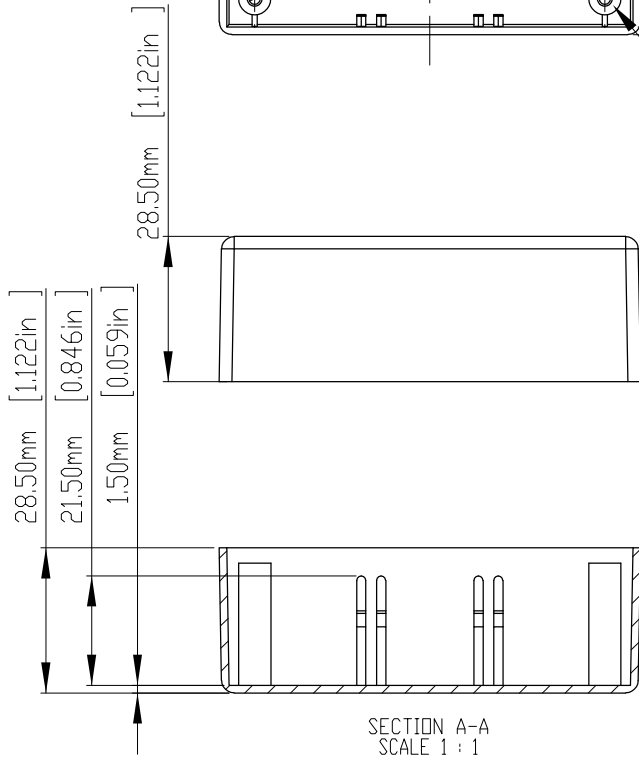
FOUR(4) PAN HEAD  
 M2.6X10mm SCREWS.



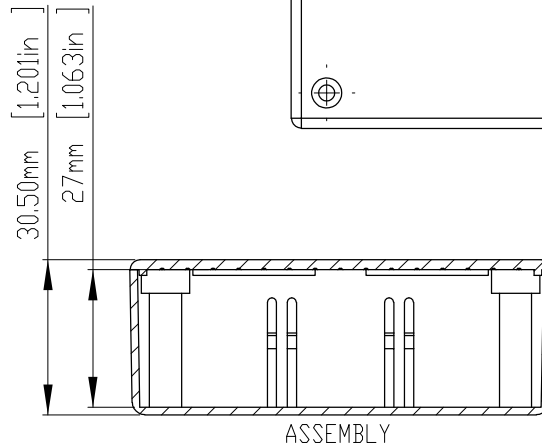
SECTION B-B  
 SCALE 1 : 1



SECTION C  
 SCALE 2 : 1



SECTION A-A  
 SCALE 1 : 1



ASSEMBLY

RND 455-00086