

- 1
- 2
- 3
- 4
- 5
- 6
- 7
- 8
- 9
- 10
- 11
- 12
- 13
- 14
- 15
- 16
- 17
- 18

**STANDARD EXECUTIONS**

AISI 303 stainless steel, sandblasted matte finish:

- GN 5335-C: H7 reamed blind hole.
- GN 5335-E: threaded blind hole.
- GN 5335: threaded pin.

AISI 316L stainless steel, sandblasted matte finish:

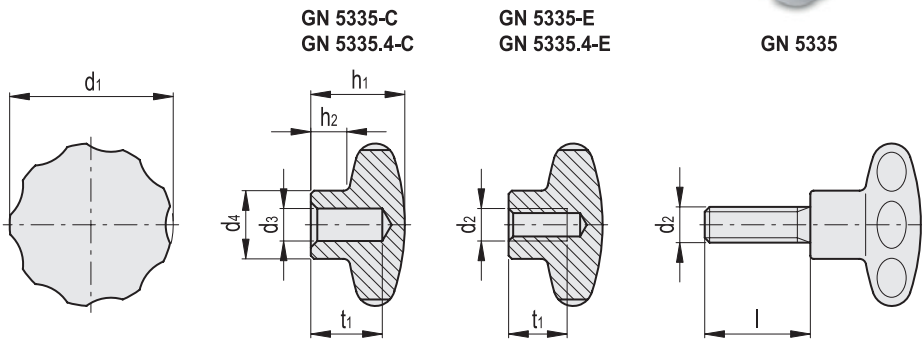
- GN 5335.4-C: H7 reamed blind hole.
- GN 5335.4-E: threaded blind hole.

**SPECIAL EXECUTIONS ON REQUEST**

- Threaded pass-through hole (GN 5335-D/GN 5335.4-D).
- Glossy finish (GN 5335-PL).



GN 5335



**GN 5335-C**

**GN 5335.4-C**

INOX STAINLESS STEEL

Code	Description	Code	Description	d1	d3 H7	d4	h1	h2	t1 min	⚖️
GN.28601	GN 5335-40-B8-C	GN.28457	GN 5335.4-40-B8-C	40	8	18	30.5	15	15	125
GN.28611	GN 5335-50-B10-C	GN.28467	GN 5335.4-50-B10-C	50	10	21	34	17	18	205
GN.28621	GN 5335-60-B12-C	GN.28477	GN 5335.4-60-B12-C	60	12	25	39	18	22	366

**GN 5335-E**

**GN 5335.4-E**

INOX STAINLESS STEEL

Code	Description	Code	Description	d1	d2	d4	h1	h2	t1 min	⚖️
GN.28605	GN 5335-40-M6-E	GN.28451	GN 5335.4-40-M6-E	40	M6	18	30.5	15	12	128
GN.28606	GN 5335-40-M8-E	GN.28453	GN 5335.4-40-M8-E	40	M8	18	30.5	15	15	125
GN.28615	GN 5335-50-M8-E	GN.28461	GN 5335.4-50-M8-E	50	M8	21	34	17	15	214
GN.28616	GN 5335-50-M10-E	GN.28463	GN 5335.4-50-M10-E	50	M10	21	34	17	18	208
GN.28625	GN 5335-60-M10-E	GN.28471	GN 5335.4-60-M10-E	60	M10	25	39	18	18	367
GN.28626	GN 5335-60-M12-E	GN.28473	GN 5335.4-60-M12-E	60	M12	25	39	18	22	365

**GN 5335**

INOX STAINLESS STEEL

Code	Description	d1	d2	d4	l	h1	h2	⚖️
GN.28607	GN 5335-40-M8-16	40	M8	18	16	30.5	15	136
GN.28608	GN 5335-40-M8-20	40	M8	18	20	30.5	15	140
GN.28609	GN 5335-40-M8-25	40	M8	18	25	30.5	15	146
GN.28617	GN 5335-50-M10-20	50	M10	21	20	34	17	222
GN.28618	GN 5335-50-M10-25	50	M10	21	25	34	17	228
GN.28619	GN 5335-50-M10-30	50	M10	21	30	34	17	238
GN.28627	GN 5335-60-M12-25	60	M12	25	25	39	18	416
GN.28628	GN 5335-60-M12-30	60	M12	25	30	39	18	426
GN.28629	GN 5335-60-M12-40	60	M12	25	40	39	18	441

Clamping knobs