

MVD. Vertical toggle clamps

with double base, steel



MATERIAL

C10 zinc-plated steel.

RIVETS

Zinc-plated steel.

HANDLE

Polyurethane, red colour.

STANDARD EXECUTIONS

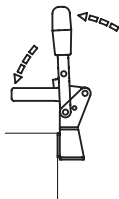
- **MVD-AVF**: with open clamping lever and two folded retainers.
- **MVD-EVF**: with solid clamping lever and retainer for welding.

CLAMPING BOLTS

To be ordered separately.

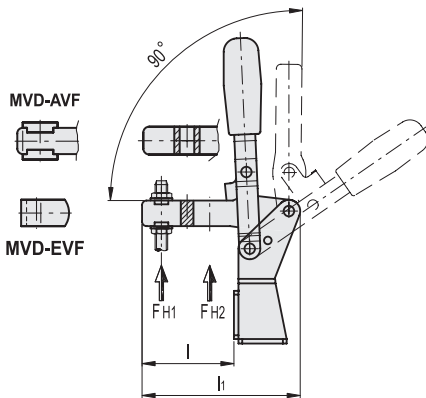
FEATURES AND APPLICATIONS

All articulated joints are lubricated with special grease. MVD. toggle clamps can be mounted on two different surfaces and occupy a limited space for clamping as lever and arm move in two opposite directions.



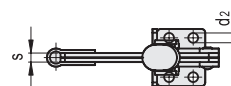
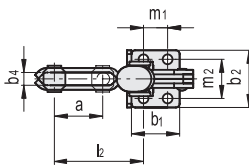
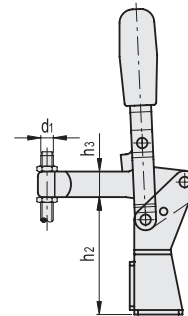
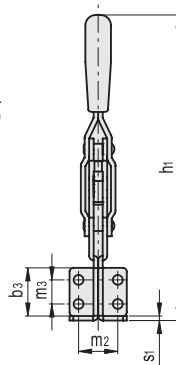
MVD-AVF

MVD-EVF



MVD-AVF

MVD-EVF



MVD-AVF

Code	Description	a	b1	b2	b3	b4	d1	d2	h1	h2	h3	l	l1	l2	m1	m2	m3	s1	FH1 [N]*	FH2 [N]*	△
GG.AA221	MVD.200-AVF	36	32	38	32	8.5	M8	6.5	203	77	17	59	103	61	16	26	16	3	1600	2500	390
GG.AA321	MVD.300-AVF	50	45	48	48	10.3	M10	8.5	258	105	20	76	130	-	28	30	30	3	2400	3700	680

MVD-EVF

Code	Description	b1	b2	b3	d1	d2	h1	h2	h3	l	l1	l2	m1	m2	m3	s	s1	FH1 [N]*	FH2 [N]*	△
GG.AA226	MVD.200-EVF	32	38	32	M8	6.5	203	77	17	61	105	61	16	26	16	6	3	1600	2500	400
GG.AA326	MVD.300-EVF	45	48	48	M10	8.5	258	105	20	77.5	132	-	28	30	30	8	3	2400	3700	690

* Holding force.

