

DC Power Connectors

Order code	Manufacturer code	Description
20-1084	732RA	732RA 1.3MM POWER SOCKET (RC)
20-1086	722RA	722RA 2.1MM POWER SOCKET (RC)
20-1088	712RA	712RA 2.5MM POWER SOCKET (RC)

DC Power Connectors	Page 1 of 2
The enclosed information is believed to be correct, Information may change without notice due to product improvement. Users should ensure that the product is suitable for their use. E. & O. E.	Revision A 20/02/2007

Connectors – Mains/Power

Right Angle DC Power Sockets

Specifications:

Electrical:

Contact Rating:

5A, 12V DC resistive

Dielectric withstanding voltage:

500VAC maximum

Insulation resistance:

10,000M Ω minimum(initial)

1,000M Ω minimum(after humidity, durability exposure)

Contact Resistance:

.01 Ω maximum(initial)

.02 Ω maximum(after humidity, durability exposure)

.1 Ω maximum(after salt spray)

Materials:

Housing:

Moulded plastic

Mounting Bushes and Hex Nut:

Plated copper alloy

Pin, spring and terminals:

Plated copper alloy

Insulators:

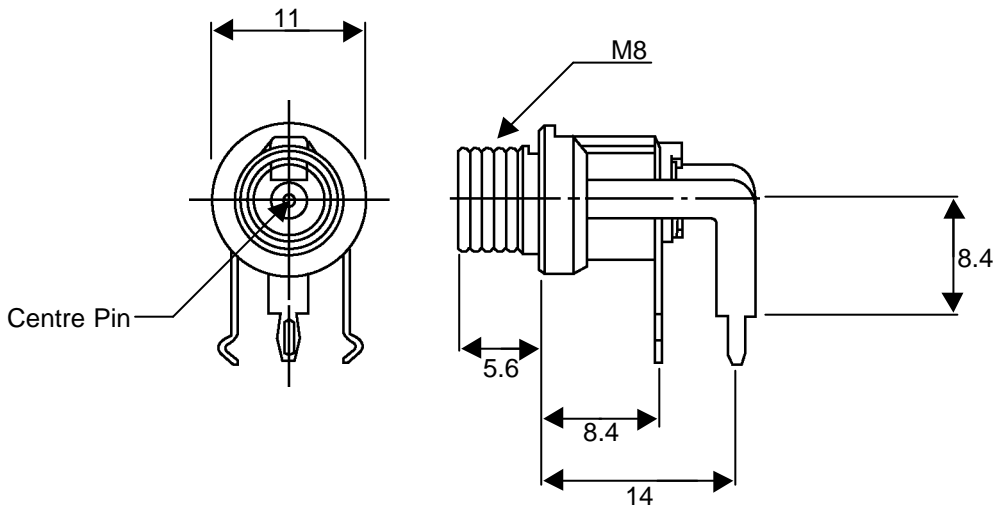
Rigid plastic

Hardware:

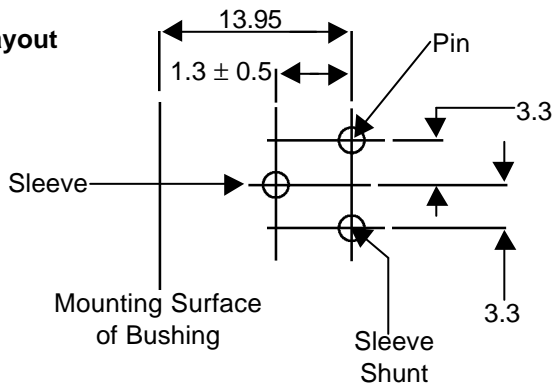
Supplied with: one P2439 nickel plated brass hex nut

one P2441 nickel plated steel flat washer

Dimensions (mm):



PCB Layout



PCB Mounting Hole Diameter: 1.7mm ± 0.5mm

Circuit Diagram

