

60 Watt Desk Top Power Supplies



DESCRIPTION

A range of R-TECH 60W AC/DC Power Adapters.

DISTINCTIVE FEATURES

- C14 Input
- Class 1
- DOE Level VI Efficiency
- Overcurrent Protection
- Short Circuit Protection
- RoHS Compliant
- 1 Year Warranty
- EN62368 Approved
- Functional Earth connection
- Cable Length 1.2 Metres

APPLICATIONS

This product is ideal for use with Audio Visual equipment, IT equipment and CCTV systems that require a 60W power supply with a 2.1x5.5x12mm or 2.5x5.5x12mm Centre Positive connector.

60W

12, 15 &
24VDC

2.5, 4
& 5A

C14

1.2m



ELECTRICAL SPECIFICATION

Output	85-7083	85-7084	85-7085	85-7086
DC Voltage	12vdc	12vdc	15vdc	24vdc
Rated Current	5amp	5amp	4amp	2.5amp
Current Range	0-5amp	0-5amp	0-4amp	0-2.5amp
Rated Power	60 Watt			
Ripple & Noise	240mVp-p max			
Output Regulation	±5%			
Output Connector	2.1x5.5x12mm Centre Positive	2.5x5.5x12mm Centre Positive	2.1x5.5x12mm Centre Positive	2.1x5.5x12mm Centre Positive
Input				
Voltage Range	90-264vac			
Frequency Range	47-63Hz			
Nominal Voltage Range	100-240vac			
Nominal Frequency Range	50-60Hz			
Input Current	1.2amp Max			
Inrush Current	40amp Max			
Standby Power	0.21amp Max			
Leakage Current	0.25amp Max			
Input Connector	C14			



GENERAL SPECIFICATION

Series	Power Supplies
Type	AC/DC Adapter
RoHS Compliant	Yes
DOE	Level VI Efficiency
Class Rating	Class I



MATERIALS

Case Material	Polycarbonate
Case Colour	Black



CERTIFICATION AND STANDARDS

Safety Standards	UL/CuL 62368-1, GS/TUV EN62368-1 All Options
EMC Emissions	EN55032, EN55035, FCC Part 15 Class B



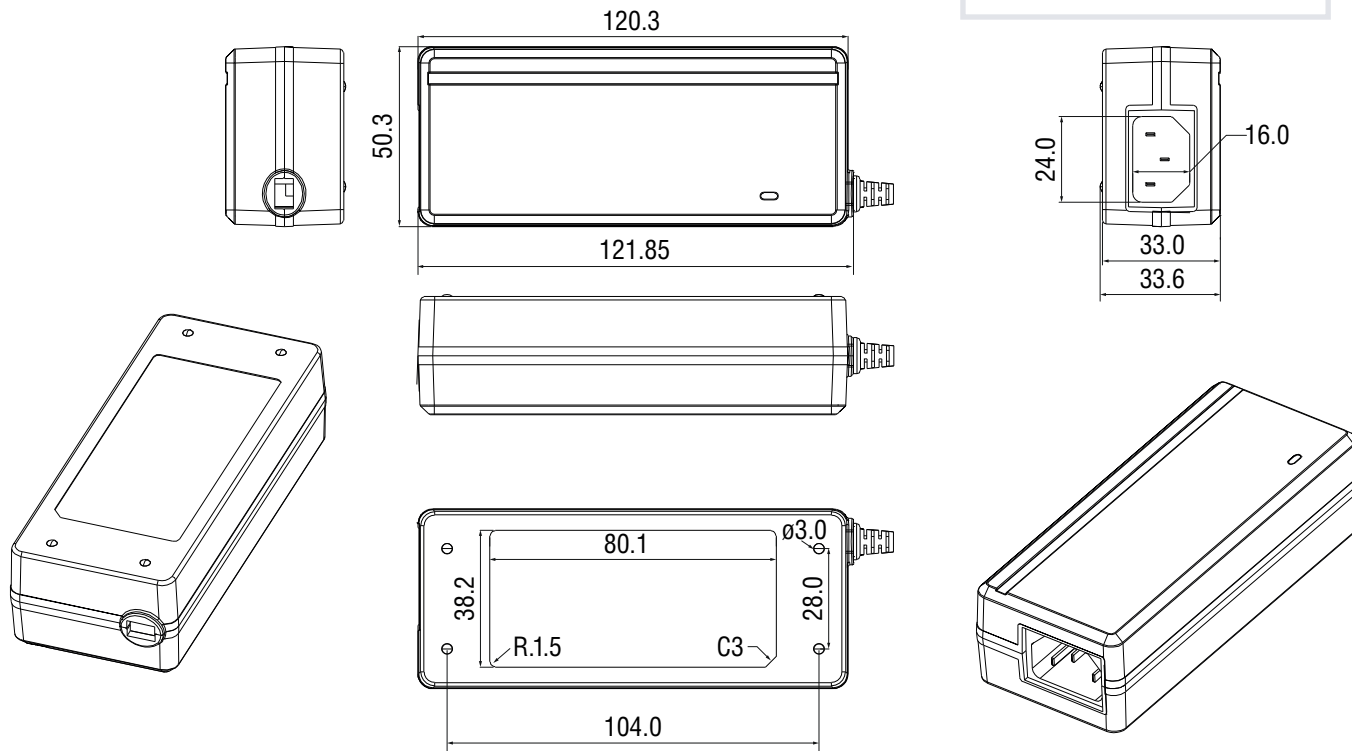
ENVIRONMENTAL/OPERATING SPECIFICATION

Operating Temperature	0°C~40°C
Cooling	Convection
Temperature Coefficient	0.05%/°C
Humidity	5~95%RH (non-condensing)
Storage Temperature	-20°C~+80°C
Temperature resistance polycarbonate shell	120°C
Operating Environment	Designed for indoor use only, and not suitable for use in damp or wet conditions



DIMENSIONS/DRAWINGS

Units	mm - unless stated otherwise
Overall Dimensions	121.85 x 50.3 x 33.5
Cable length	1.2 metres
Weight	240g



PART NUMBER TABLE

Part number	DC Voltage	Rated Current	Current Range	Output Connector	UNSPSC	EAN	Country of Origin
85-7083	12vdc	5amp	0-5amp	2.1x5.5x12mm Centre Positive	39121004	5053556008049	China
85-7084	12vdc	5amp	0-5amp	2.5x5.5x12mm Centre Positive	39121004	5053556008056	China
85-7085	15vdc	4amp	0-4amp	2.1x5.5x12mm Centre Positive	39121004	5053556008063	China
85-7086	24vdc	2.5amp	0-2.5amp	2.1x5.5x12mm Centre Positive	39121004	5053556008070	China

R-TECH

Tried & trusted technology

Important Notice: This data sheet and its contents (the "Information") belong to Rapid Electronics Limited or are licensed to it. No licence is granted for the use of it other than for information purposes in connection with the products to which it relates. No licence of any intellectual property rights is granted. The Information is subject to change without notice and replaces all data sheets previously supplied. The Information supplied is believed to be accurate but Rapid Electronics Limited assumes no responsibility for its accuracy or completeness, any error in or omission from it or for any use made of it. Users of this data sheet should check for themselves the Information and the suitability of the products for their purpose and not make any assumptions based on information included or omitted. Liability for loss or damage resulting from any reliance on the Information or use of it (including liability resulting from negligence or where Rapid Electronics Limited were aware of the possibility of such loss or damage arising) is excluded. This will not operate to limit or restrict Rapid Electronics Limited's liability for death or personal injury resulting from its negligence.