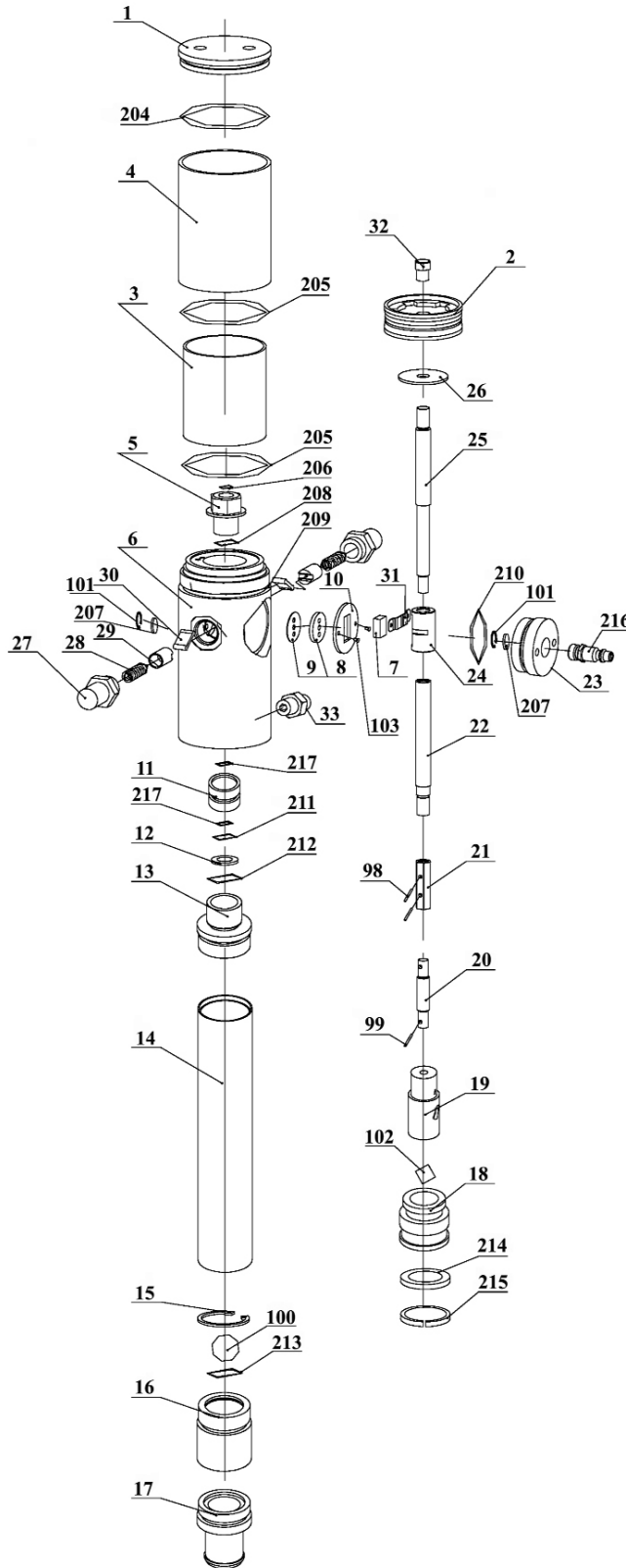




Parts Information:
Oil Dispensing System Air Operated
Model No: AK4561D



NOTE: It is our policy to continually improve products and as such we reserve the right to alter data, specifications and component parts without prior notice.

IMPORTANT: No liability is accepted for incorrect use of product.

WARRANTY: Guarantee is 12 months from purchase date, proof of which will be required for any claim.

Sealey Group, Kempson Way, Suffolk Business Park, Bury St Edmunds, Suffolk. IP32 7AR



01284 757500



01284 703534



sales@sealey.co.uk



www.sealey.co.uk



Parts Information:
Oil Dispensing System Air Operated
Model No: AK4561D

| Item | Part No. | Description |
|------|------------|-----------------------------|
| 1 | AK4560D.01 | AIR MOTOR COVER |
| 2 | AK4560D.02 | PISTON |
| 3 | AK4560D.03 | AIR MOTOR SHELL INNER |
| 4 | AK4560D.04 | AIR MOTOR SHELL OUTER |
| 5 | AK4560D.05 | BRACKET |
| 6 | AK4560D.06 | AIR CONTROL CENTRE |
| 7 | AK4560D.07 | SLIDER |
| 8 | AK4560D.08 | GASKET |
| 9 | AK4560D.09 | SOFT GASKET |
| 10 | AK4560D.10 | SQUARE HOLE SECURING WASHER |
| 11 | AK4560D.11 | BRACKET |
| 12 | AK4560D.12 | WASHER |
| 13 | AK4560D.13 | CONNECT TUBE |
| 14 | AK4560D.14 | SUCTION TUBE 850mm x 42mmOD |
| 15 | AK4560D.15 | SPRING CIRCLIP |
| 16 | AK4560D.16 | VALVE SEAT |
| 17 | AK4560D.17 | FILTER OR CONNECTOR |
| 18 | AK4560D.18 | PISTON |
| 19 | AK4560D.19 | CONNECTING SHELL |
| 20 | AK4560D.20 | CONNECT SHAFT |
| 21 | AK4560D.21 | CONNECT SHELL |
| 22 | AK4560D.22 | MIDDLE SHAFT |
| 23 | AK4560D.23 | AIR CENTRE COVER |
| 24 | AK4560D.24 | SLIDER SHELL |
| 25 | AK4560D.25 | PISTON SHAFT |
| 26 | FWM10.S | FLAT WASHER M10 SINGLE |
| 27 | AK4560D.27 | SPRING SHELL |

| Item | Part No. | Description |
|------|-------------|---|
| 28 | AK4560D.28 | SPRING |
| 29 | AK4560D.29 | SPRING SEAT |
| 30 | AK4560D.30 | TRIP SHOE GUIDE |
| 31 | AK4560D.31 | PRESS PIECE |
| 32 | AK4560D.32 | NUT |
| 33 | AK4560D.33 | OUTLET |
| 98 | AK4560D.98 | PIN |
| 99 | AK4560D.99 | SPRING PIN M3X20 |
| 100 | SB-21.4 | STEEL BALL 21.4mm |
| 101 | AK4560D.101 | SMALL CIRCLIP |
| 102 | SB-16.0 | STEEL BALL 16.0mm |
| 103 | MSP410.S | MACHINE SCREW PAN HEAD PHILLIPS M4x10mm |
| 204 | AK4560D.204 | O-RING |
| 205 | AK4560D.205 | O-RING |
| 206 | AK4560D.206 | O-RING |
| 207 | AK4560D.207 | SILENCER |
| 208 | AK4560D.208 | O-RING |
| 209 | AK4560D.209 | O-RING |
| 210 | AK4560D.210 | O-RING |
| 211 | AK4560D.211 | O-RING |
| 212 | AK4560D.212 | O-RING |
| 213 | AK4560D.213 | O-RING |
| 214 | AK4560D.214 | U SEAL |
| 215 | AK4560D.215 | GUIDING |
| 216 | AK4560D.216 | QUICK COUPLING |
| 217 | AK4560D.217 | OD SEAL |

NOTE: It is our policy to continually improve products and as such we reserve the right to alter data, specifications and component parts without prior notice.

IMPORTANT: No liability is accepted for incorrect use of product.

WARRANTY: Guarantee is 12 months from purchase date, proof of which will be required for any claim.

Sealey Group, Kempson Way, Suffolk Business Park, Bury St Edmunds, Suffolk. IP32 7AR



01284 757500



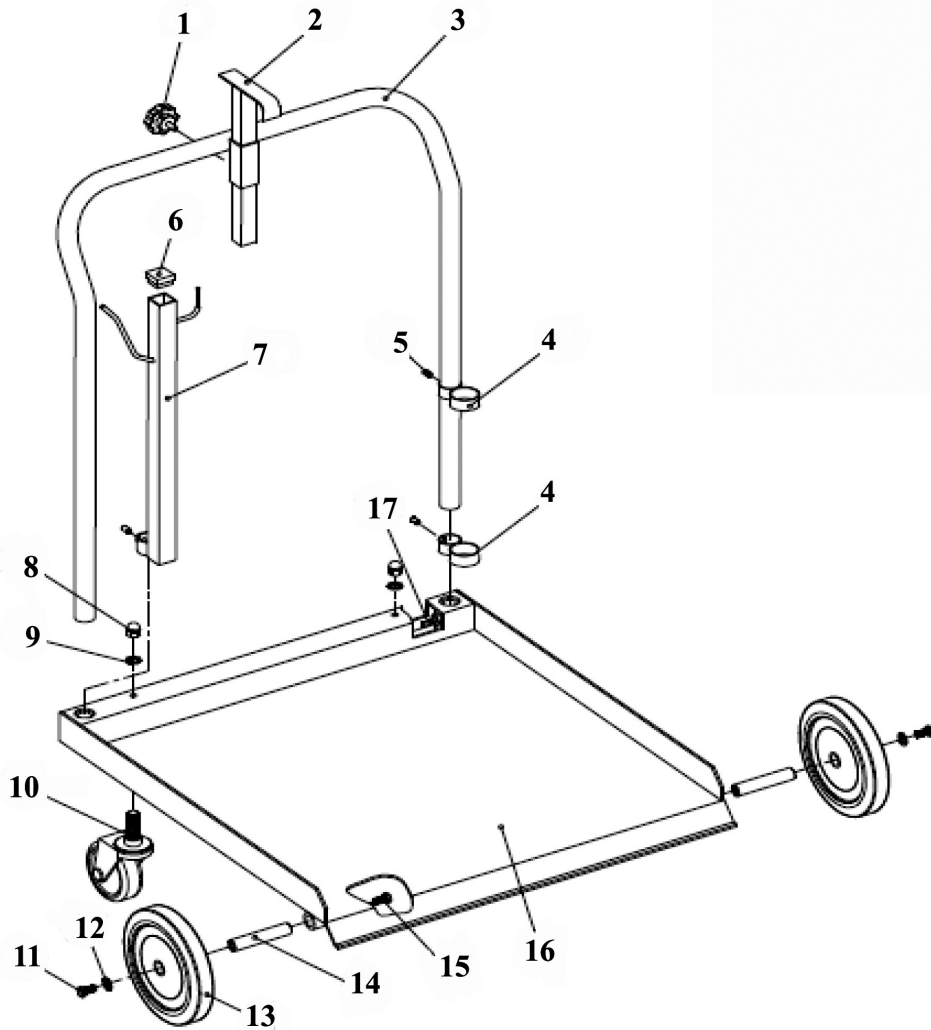
01284 703534



sales@sealey.co.uk



www.sealey.co.uk



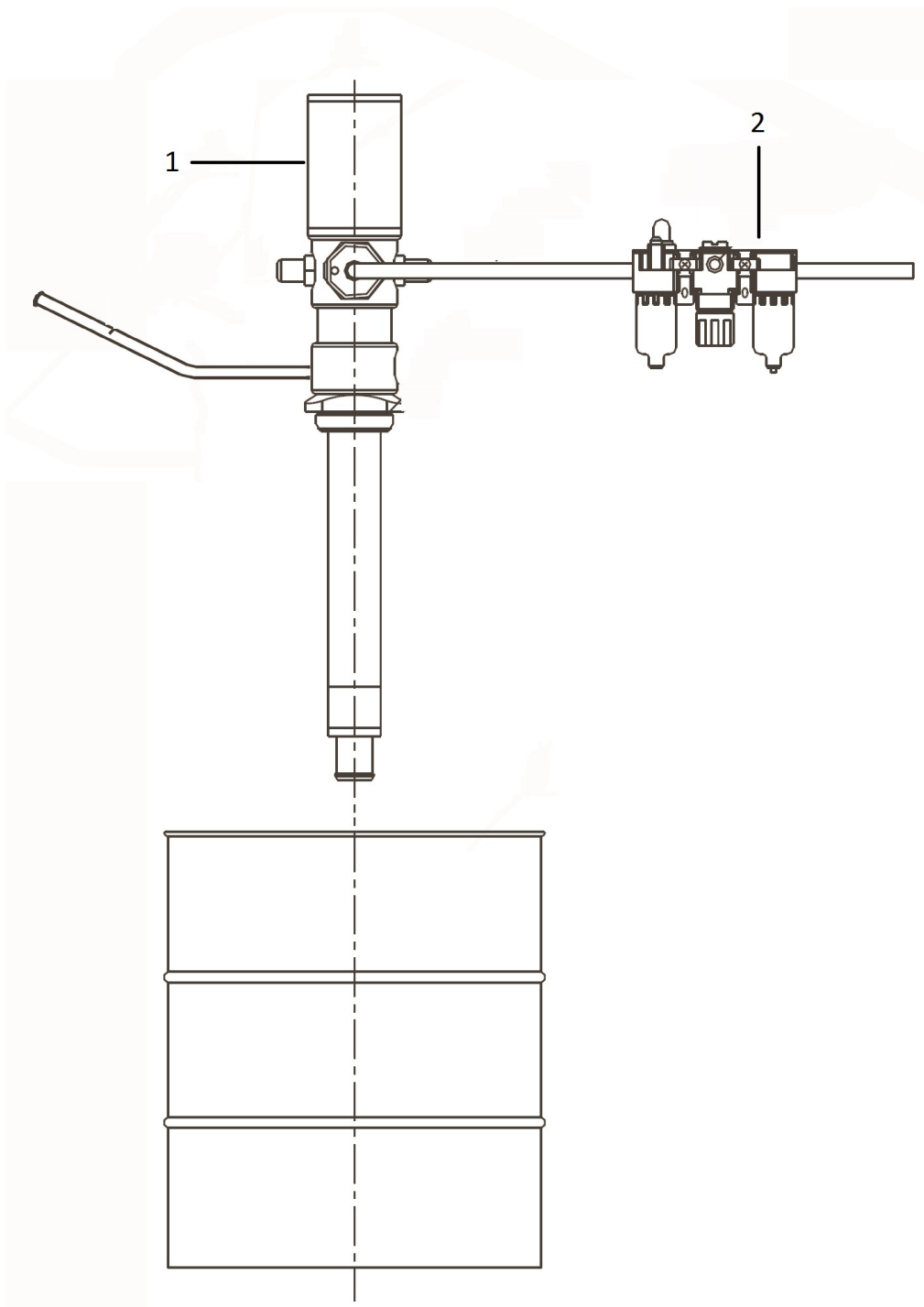
| Item | Part No. | Description |
|------|------------|------------------------------|
| 1 | AK4561D.01 | ADJUSTING KNOB |
| 2 | AK4562D.02 | DRUM HOLDER SUPPORT |
| 3 | AK4561D.03 | HANDLE |
| 4 | AK4562D.04 | PUMP SUPPORT |
| 5 | GSM1010.S | GRUB SCREW M10x10 (SINGLE) |
| 6 | AK4562D.06 | END CAP |
| 7 | AK4562D.07 | ACCESSORIES SUPPORT |
| 8 | SN10.SD | STEEL NUT M10 DOMED (SINGLE) |
| 9 | FWM10.S | FLAT WASHER M10 SINGLE |

| Item | Part No. | Description |
|------|-------------|-----------------------------------|
| 10 | AK4561D.10N | WHEEL, SWIVEL CASTOR (75x8x25x97) |
| 11 | SFS816.S | HEX HEAD FLANGE BOLT M8x16 SINGLE |
| 12 | RW838.S | REPAIR WASHER M8x38 (SINGLE) |
| 13 | AK4561D.13N | WHEEL, FIXED NYLON (149x15x37) |
| 14 | AK4561D.14 | AXLE |
| 15 | SS645.S | HEX HEAD SET SCREW M6x45mm SINGLE |
| 16 | AK4561D.16N | TROLLEY BASE (NEW TYPE) |
| 17 | AK4561D.17 | GRUB SCREW M10X10 BLACK |

NOTE: It is our policy to continually improve products and as such we reserve the right to alter data, specifications and component parts without prior notice.

IMPORTANT: No liability is accepted for incorrect use of product.

WARRANTY: Guarantee is 12 months from purchase date, proof of which will be required for any claim.



| Item | Part No. | Description |
|------|----------|---|
| -- | AK4565D | OIL HOSE END GUN with DIGITAL METER (NOT SHOWN) |
| 1 | AK4560D | Oil Dispensing Pump Station Air Operated |

| Item | Part No. | Description |
|------|-------------|-----------------------------|
| 2 | AK4560D.AC7 | REGULATOR/LUBRICATOR/FILTER |

NOTE: It is our policy to continually improve products and as such we reserve the right to alter data, specifications and component parts without prior notice.

IMPORTANT: No liability is accepted for incorrect use of product.

WARRANTY: Guarantee is 12 months from purchase date, proof of which will be required for any claim.