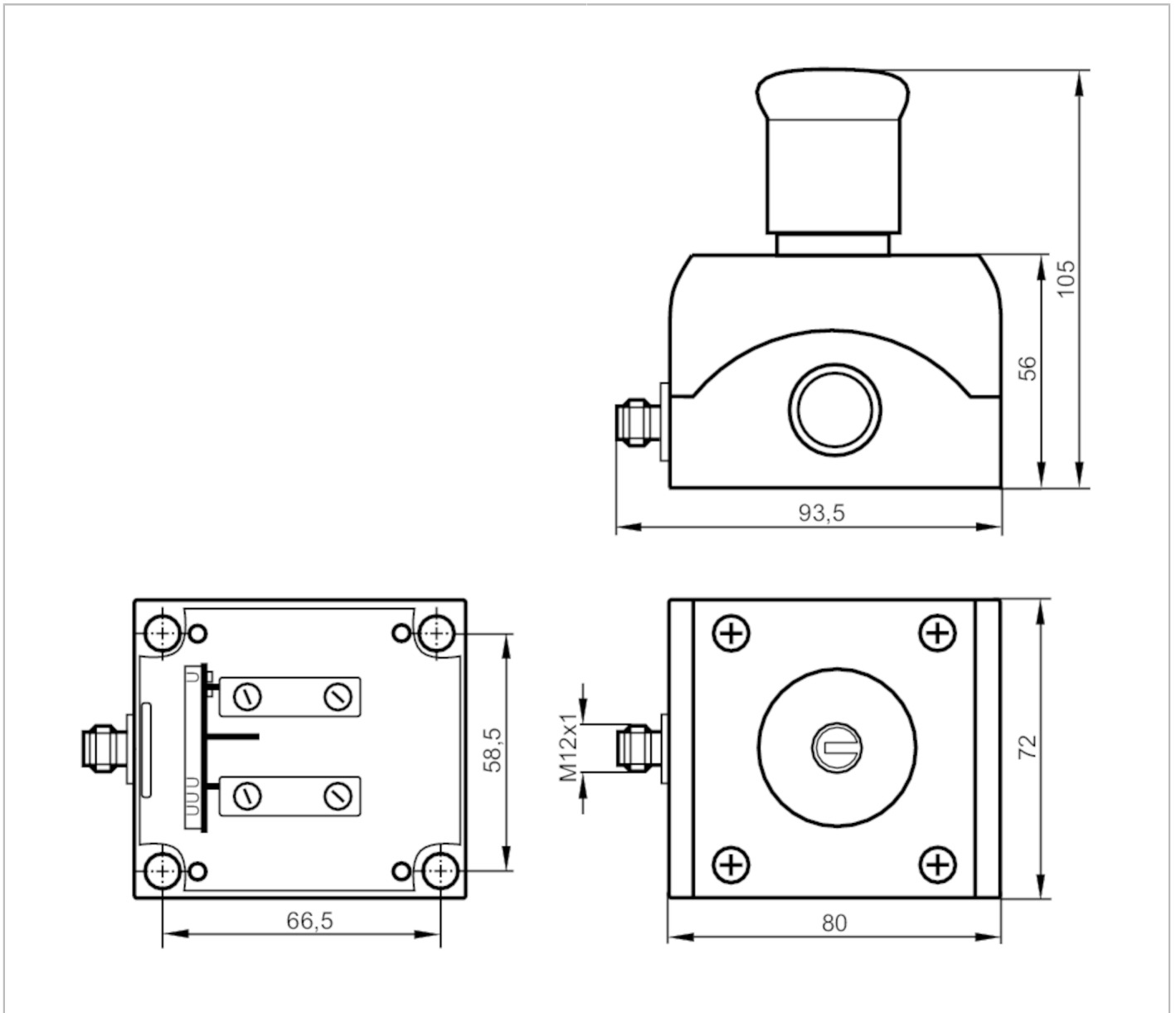


AC011S



Key-release E-STOP with integrated AS-i connection

E-stop key switch IP67



Application

Application: fool-proof E-STOP to EN ISO 13850

Electrical data

Operating voltage [V]: 26.5...31.6 DC
 Current consumption [mA]: < 50

Inputs

Input circuit of digital inputs: PNP
 Sensor supply of the inputs: AS-i
 Voltage supply [V]: 20
 Input current Low [mA]: < 4
 Digital inputs protected against short circuits: yes

AC011S



Key-release E-STOP with integrated AS-i connection

E-stop key switch IP67

Outputs	
Electrical design	AS-i
Operating conditions	
Ambient temperature [°C]	-25...60
Protection	IP 67
Safety classification	
ISO 13849-1	category 4, PL e
IEC 61508	SIL 3
Mission time TM [h]	87600
AS-i classification	
AS-i version	2.1
Extended addressing mode possible	no
AS-i profile	S-7.B.E
AS-i I/O configuration [hex]	7
AS-i ID code [hex]	B.E
AS-i certificate	74601
Mechanical data	
Weight [g]	343.5
Dimensions [mm]	105 x 72 x 93.5
Materials	PC-GF20
Remarks	
Pack quantity	1 pcs.
Electrical connection	
quick mounting technology for AS-i flat cable, IP 67:	
1	AS-i +
2	not used
3	AS-i -
4	not used
5	not used
Connector: M12	
