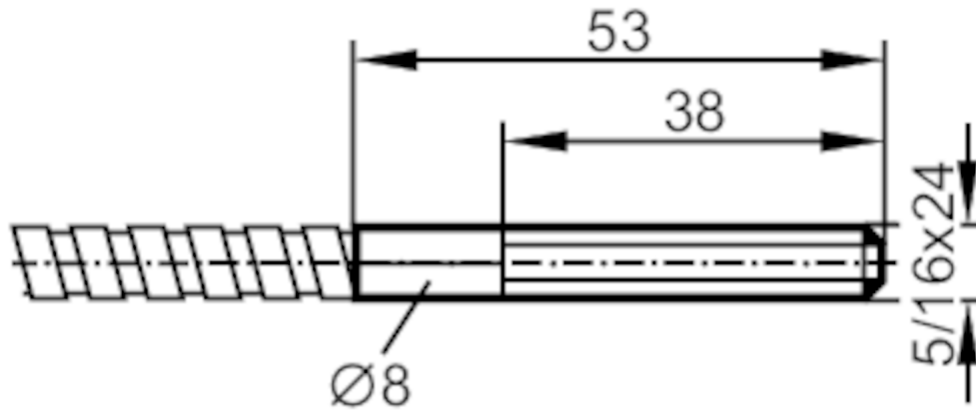


Fibre optic through beam sensor

FE-50-V-V-M5/16



Application

Function principle Through-beam sensor

Detection zone

Range with fibre optic amplifier type OBF; ODF; OMF

OBF

Range of fibre optics [mm] 1000

ODF

Range of fibre optics [mm] 4

OMF

Range of fibre optics [mm] 800

Operating conditions

Ambient temperature [°C] -58...315

E20823



Fibre optic through beam sensor

FE-50-V-V-M5/16

Mechanical data	
Weight [g]	197
Version of sensing head	straight
Total length [mm]	900
Min. bending radius [mm]	19
Fibre arrangement	
Fibre material	glass
Fibre head material	stainless steel (1.4305 / 303)
Fibre sheath material	stainless steel (1.4305 / 303)
Accessories	
Accessories (supplied)	hexagon nuts: 4 x M8
	clamping rings: 2
	O-rings: 2
Remarks	
Pack quantity	1 pcs.