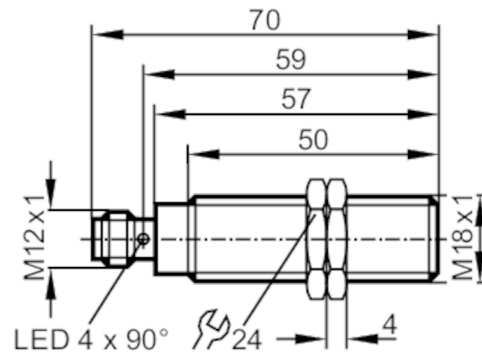


# IG5595



## Inductive sensor

IGA2005-FRKG/US



### Product characteristics

Electrical design	PNP/NPN	
Output function	normally open / normally closed; (selectable)	
Sensing range [mm]	5	
Housing	threaded type	
Dimensions [mm]	M18 x 1 / L = 70	

### Application

Special feature	Gold-plated contacts
-----------------	----------------------

### Electrical data

Operating voltage [V]	10...55 DC
Current consumption [mA]	< 10
Protection class	II
Reverse polarity protection	yes

### Outputs

Electrical design	PNP/NPN	
Output function	normally open / normally closed; (selectable)	
Max. voltage drop switching output DC [V]	2.5	
Max. leakage current [mA]	0.5	
Permanent current rating of switching output DC [mA]	400	
Switching frequency DC [Hz]	700	
Short-circuit protection	yes	
Type of short-circuit protection	pulsed	
Overload protection	yes	

### Detection zone


Sensing range [mm]	5	
Real sensing range Sr [mm]	5 ± 10 %	
Operating distance [mm]	0...4.05	

# IG5595



## Inductive sensor

IGA2005-FRKG/US

Accuracy / deviations		
Correction factor		steel: 1 / stainless steel: 0.7 / brass: 0.5 / aluminium: 0.4 / copper: 0.3
Hysteresis	[% of Sr]	1...20
Switch point drift	[% of Sr]	-10...10
Operating conditions		
Ambient temperature	[°C]	-25...70
Protection		IP 67
Tests / approvals		
EMC	EN 61000-4-2 ESD	4 kV CD / 8 kV AD
	EN 61000-4-3 HF radiated	10 V/m
	EN 61000-4-4 Burst	2 kV
	EN 61000-4-5 Surge	0,5 kV line to line, Ri: 2 Ohm
	EN 61000-4-6 HF conducted	10 V
MTTF	EN 55011	class B
		1809
UL approval	Ta	-25...70 °C
	Enclosure type	Type 1
	voltage supply	Class 2
	File number UL	E174191
Mechanical data		
Weight	[g]	54.1
Housing		threaded type
Mounting		flush mountable
Dimensions	[mm]	M18 x 1 / L = 70
Thread designation		M18 x 1
Materials		brass white bronze coated; sensing face: PBT
Displays / operating elements		
Display	switching status	4 x 90° LED, yellow
Accessories		
Accessories (supplied)		lock nuts: 2
Remarks		
Pack quantity		1 pcs.
Electrical connection - plug		
Connector: 1 x M12; Contacts: gold-plated		
		

# IG5595



## Inductive sensor

IGA2005-FRKG/US

