

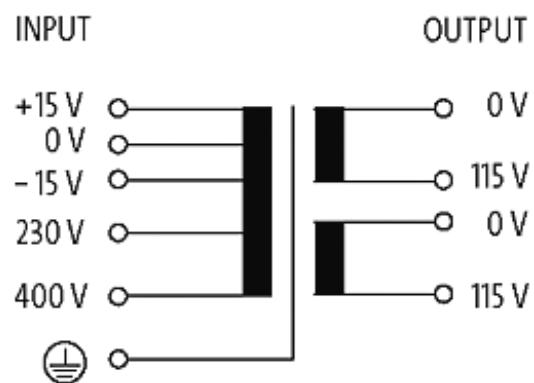
## MST 1-PHASE CONTROL AND ISOLATION TRANSFORMER

P: 1000VA IN: 230/400VAC +/- 15VAC OUT: 2x115VAC

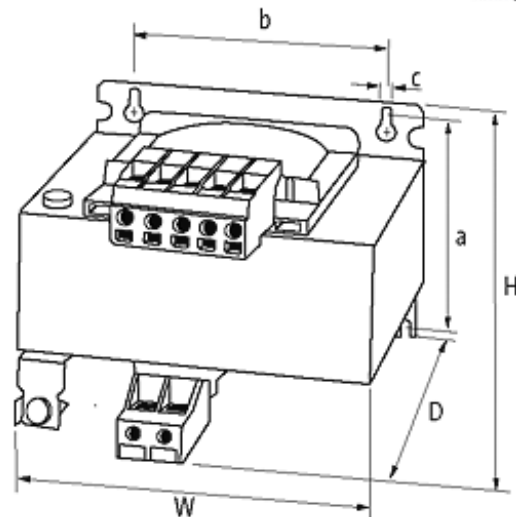
Single-phase - Control and Isolation Transformers  
1000 VA  
Isolation class T 40/B

### [Link to Product](#)

#### Illustration



stay connected



Product may differ from Image

### Approvals



### Input

|                       |                                    |
|-----------------------|------------------------------------|
| Input voltage         | 230/400 ±15 V AC                   |
| Frequency             | 50...60 Hz                         |
| Inrush current        | 83 A (230 V AC); 42 A (400 V AC)   |
| Short-circuit current | 165 A (230 V AC); 94 A (400 V AC)  |
| Input current         | 4.6 A (230 V AC); 2.7 A (400 V AC) |

### General data

|                          |   |
|--------------------------|---|
| Standards                | (EN 61558-1), (EN 61558-2-4), (EN 62041 category 0) |
| Test isolation voltage   | 5.8 kV (prim./sec.)                                 |
| Temperature range        | -20...+40 °C, no condensation                       |
| Dimensions H × W × D     | 156×150×146 mm                                      |
| Fixing centers a × b × c | 134×122×7 mm  |
| Drill hole Ø             | 7×11 mm   |
| Mounting method          | Key-hole mounting                                   |

### Output

|                |                                |
|----------------|--------------------------------|
| Output voltage | 1 × 230, 1 × 115, 2 × 115 V AC |
|----------------|--------------------------------|

### Commercial data

|                        |          |
|------------------------|----------|
| country of origin      | CZ       |
| customs tariff number  | 85043180 |
| minimum order quantity | 1        |