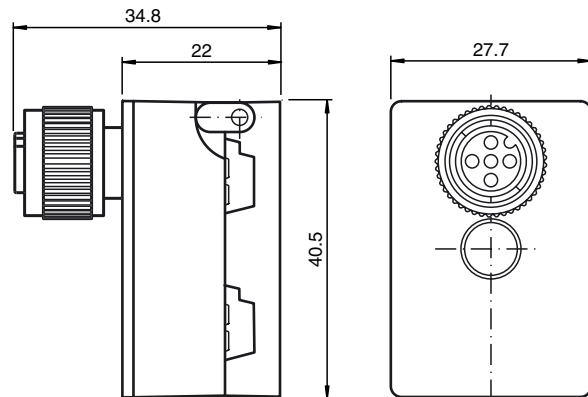
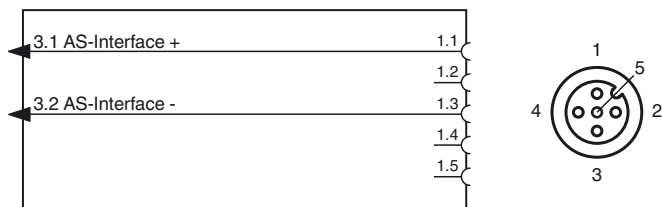



**ECOLAB**
**Model number**
**VAZ-T1-FK-G10-V1**

Splitter box G10, AS-Interface to M12

**Features**

- One piece housing
- Simple and fast mounting
- Gold-plated and machined contacts
- Immunity to vibration
- Degree of protection IP68 / IP69K

**Dimensions**

**Electrical connection**

**Technical data**
**General specifications**

Construction type	Socket, straight Flat cable terminal AS-Interface
UL File Number	E223772

**Electrical specifications**

Rated operating voltage	$U_e$	$\leq 32$ V PELV ( AS-Interface )
Rated operating current	$I_e$	$\leq 3$ A
Protection class		III
Current loading capacity		max. 4 A
Surge protection		overvoltage category III

**Ambient conditions**

Ambient temperature	-25 ... 75 °C (-13 ... 167 °F)
Storage temperature	-25 ... 85 °C (-13 ... 185 °F)
Pollution Degree	3

**Mechanical specifications**

Degree of protection	IP67 IP67 / IP68 / IP69K with flat cable VAZ-FK-S-*
Connection	Flat cable AS-Interface: cable piercing method Plug connection: M12 x 1 socket (V1)
Material	
Contacts	CuSn / Au
Housing	PBT PC
Mounting screw	Stainless steel 1.4305 / AISI 303
Mass	45 g
Tightening torque, fastening screws	1.65 Nm

**Compliance with standards and directives**

Standard conformity	
Degree of protection	EN 60529:2000

**Notes****Mounting instructions**

You may screw the device onto a level mounting surface using two M4 attachment screws. The attachment screws are not included.

