

Glass Fiber-Optic Cable

Reflex Mode

051-101-102

Part Number

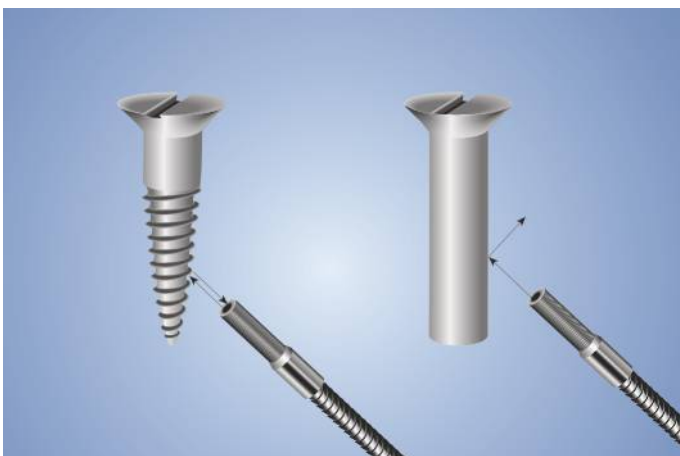


- A broad range of applications are possible due to the modular system design
- Stock types deliverable at short notice

Technical Data

| Optical Data | |
|----------------------------------|---------------------|
| Fiber Bundle Diameter | 0,5 mm |
| Range with Sensor Type U_88__ | 16 mm |
| Range with Sensor Type U_66__ | 8 mm |
| Range with Sensor Type U_55__ | 4 mm |
| Opening Angle | 68 ° |
| Fiber | Step Index |
| Fiber Diameter | 50 μm |
| Fiber Distribution | statistical mixture |
| Mechanical Data | |
| Temperature Range | -25...80 °C |
| Bending Radius | 21 mm |
| Fiber-Optic Length | 0,5 m |
| Jacket Material | PVC |
| Material End Sleeve | Stainless Steel |
| End Sleeve No. | 1 |
| Light Emission | straight |
| Fiber-Optic Cable Adapter No. | 01 |
| Suitable Mounting Technology No. | 310 |

Glass fiber optic cables are very flexible and can be used in applications with less space. Especially in applications with hot environment the metal casing fiber optic cables are the answer.



Fiber Optic Cable Combination

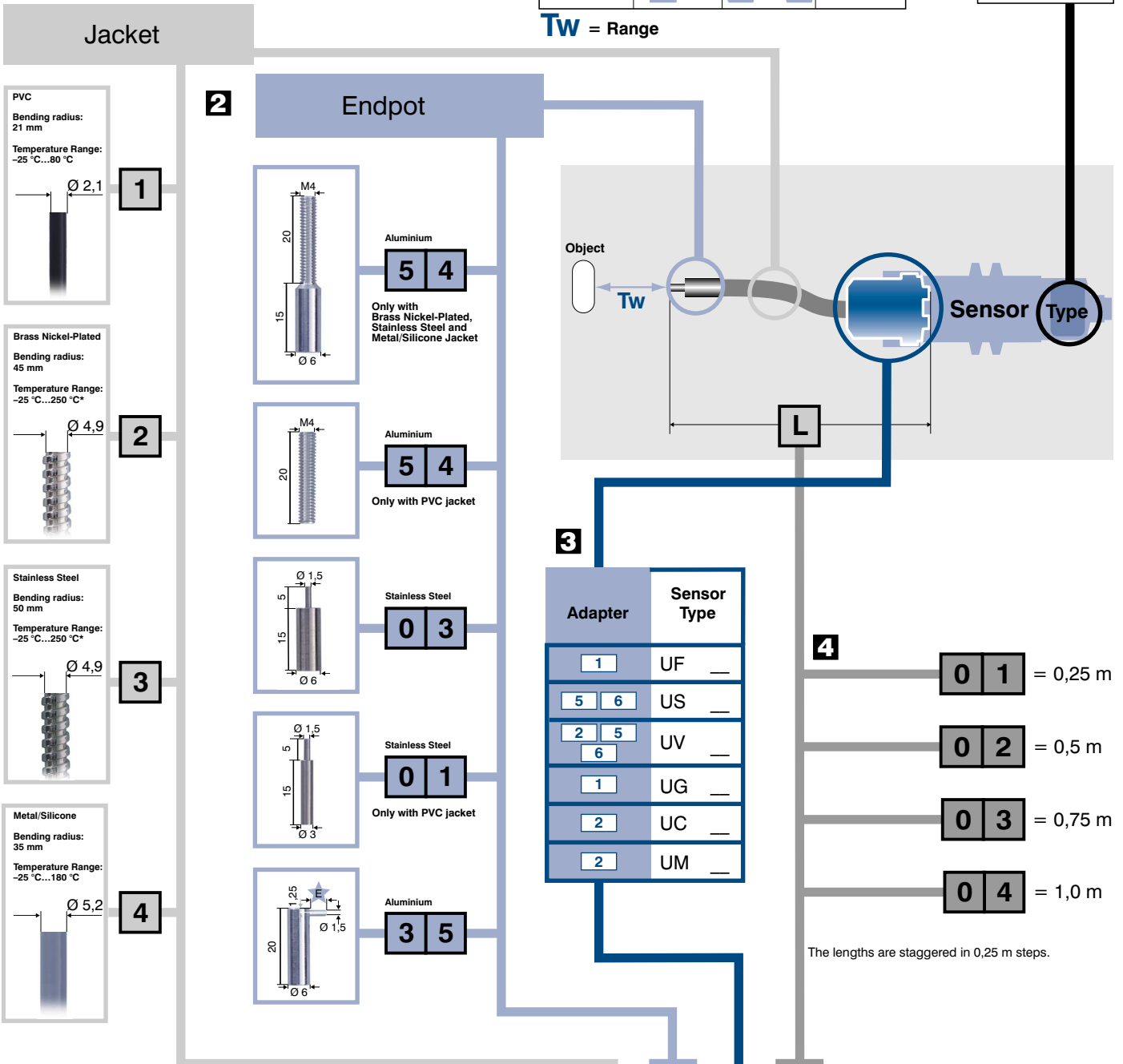
Choose your individual Glass Fiber Optic Cable

- 1** First you have to choose the required range.
If you cannot find a suitable range, please change to another Fiber bundle diameter. The range depends on the length of the Fiber optic cable and the switching range of the chosen sensor.
- 2** Choose the jacket and the endpoint.
- 3** Choose the right adapter for your sensor.
- 4** Choose the length of the Fiber arm (in 0,25 m steps).

| Fiber optic length | | | |
|--------------------|--------|-------|--------|
| 1,0 m | 0,75 m | 0,5 m | 0,25 m |
| 12 mm | 14 mm | 16 mm | 20 mm |
| 6 mm | 7 mm | 8 mm | 10 mm |
| 3 mm | 3 mm | 4 mm | 5 mm |

| Sensor Type | |
|-------------|----|
| U_88 | __ |
| U_66 | __ |
| U_55 | __ |

TW = Range



| Adapter | Sensor Type |
|---------|-------------|
| 1 | UF __ |
| 5 6 | US __ |
| 2 5 6 | UV __ |
| 1 | UG __ |
| 2 | UC __ |
| 2 | UM __ |

- 0 1** = 0,25 m
- 0 2** = 0,5 m
- 0 3** = 0,75 m
- 0 4** = 1,0 m

The lengths are staggered in 0,25 m steps.

Order number 0 5 1 ? ? ? ? ? ?

Fiber bundle Ø 0,5 mm

Reflex mode

± = 4 mm Standard
please specify other lengths
* Fibers heat resistant up to 180 °C, up to 250 °C
only with order number addition "T"!