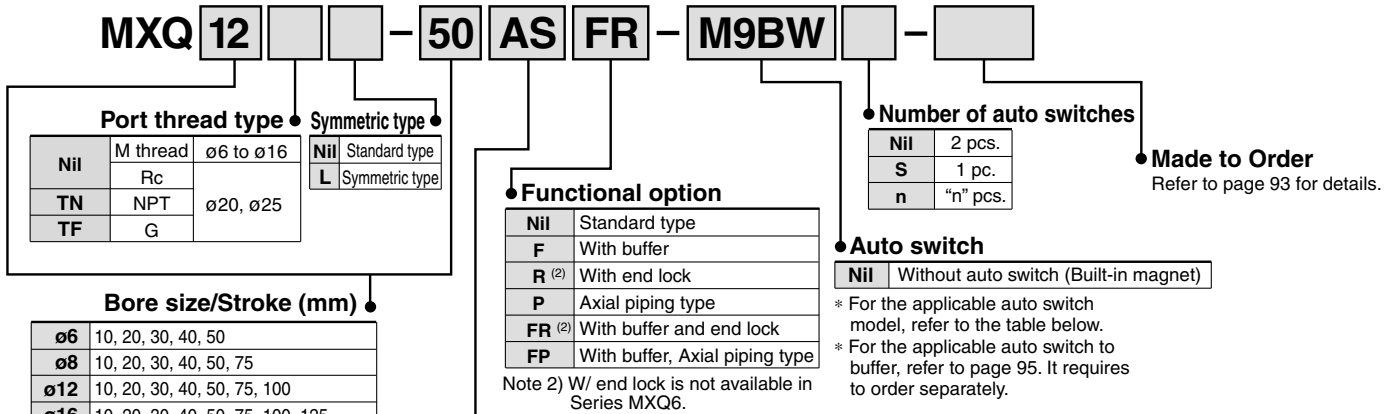


Air Slide Table

Series MXQ

ø6, ø8, ø12, ø16, ø20, ø25

How to Order



Adjuster option

| | |
|---------------------|---|
| Nil | Without adjuster |
| AS | Extension end adjuster |
| AT | Retraction end adjuster |
| A | Double end adjuster |
| BS ⁽¹⁾ | Extension end absorber |
| BT ⁽¹⁾ | Retraction end absorber |
| B ⁽¹⁾ | Double absorber |
| CS | Extension end metal stopper |
| CT | Retraction end metal stopper |
| C | Double metal stopper |
| ASBT ⁽¹⁾ | Extension end adjuster + Retraction end absorber |
| ASCT | Extension end adjuster + Retraction end metal stopper |
| BSAT ⁽¹⁾ | Extension end absorber + Retraction end adjuster |
| BSCT ⁽¹⁾ | Extension end absorber + Retraction end metal stopper |
| CSAT | Extension end metal stopper + Retraction end adjuster |
| CSBT ⁽¹⁾ | Extension end metal stopper + Retraction end absorber |

Option Combinations

| Adjuster option | Functional option | | | | | |
|-----------------|-------------------|------------------|---|---|------------------|------------------|
| | Nil | F | R | P | FR | FP |
| Nil | ○ | ○ | ○ | ○ | ○ | ○ |
| AS | ○ | ○ ⁽³⁾ | ○ | ○ | ○ ⁽³⁾ | ○ ⁽³⁾ |
| AT | ○ | ○ | x | x | x | x |
| A | ○ | ○ ⁽³⁾ | x | x | x | x |
| BS | ○ | x | ○ | ○ | x | x |
| BT | ○ | ○ | x | x | x | x |
| B | ○ | x | x | x | x | x |
| CS | ○ | ○ ⁽³⁾ | ○ | ○ | ○ ⁽³⁾ | ○ ⁽³⁾ |
| CT | ○ | ○ | x | x | x | x |
| C | ○ | ○ ⁽³⁾ | x | x | x | x |
| ASBT | ○ | ○ ⁽³⁾ | x | x | x | x |
| ASCT | ○ | ○ ⁽³⁾ | x | x | x | x |
| BSAT | ○ | x | x | x | x | x |
| BSCT | ○ | x | x | x | x | x |
| CSAT | ○ | ○ ⁽³⁾ | x | x | x | x |
| CSBT | ○ | ○ ⁽³⁾ | x | x | x | x |

○ : Available, x : Not available

Note 1) W/ shock absorber is not available in Series MXQ6.

Note 3) With the combination of buffer mechanism and extension end stroke adjuster, the buffer stroke decreases by the amount of stroke adjusted with the extension end stroke adjuster.

Applicable Auto Switch/Refer to pages 1719 to 1827 for the detailed specifications of auto switches.

| Type | Special function | Electrical entry | Indicator light | Wiring (Output) | Load voltage | | Auto switch model | | Lead wire length (m) | | | | Pre-wired connector | Applicable load | | | |
|--------------------|--|------------------|-----------------|-------------------------|--------------|---------------|-------------------|---------|----------------------|-------|-------|-------|---------------------|-----------------|------------|------------|------------|
| | | | | | DC | AC | Perpendicular | In-line | 0.5 (Nil) | 1 (M) | 3 (L) | 5 (Z) | | | | | |
| Solid state switch | Diagnostic indication (2-color indication) | Grommet | Yes | 3-wire (NPN) | 24 V | 5 V, 12 V | — | M9NV | M9N | ● | ● | ● | ○ | ○ | IC circuit | Relay, PLC | |
| | | | | 3-wire (PNP) | | | | M9PV | M9P | ● | ● | ● | ○ | ○ | | | |
| | | | | 2-wire | | | | M9BV | M9B | ● | ● | ● | ○ | ○ | | | |
| | | | | 3-wire (NPN) | | | | M9NWV | M9NW | ● | ● | ● | ○ | ○ | | | |
| | | | | 3-wire (PNP) | | | | M9PWV | M9PW | ● | ● | ● | ○ | ○ | | | |
| | | | | 2-wire | | | | M9BWV | M9BW | ● | ● | ● | ○ | ○ | | | |
| Reed switch | — | Grommet | No | 3-wire (NPN equivalent) | 24 V | 5 V | — | A96V | A96 | ● | — | ● | — | — | IC circuit | — | |
| | | | | 2-wire | | | | 100 V | A93V | A93 | ● | — | ● | — | — | — | Relay, PLC |
| | | | | | | 100 V or less | | | | A90V | A90 | ● | — | ● | — | — | IC circuit |

* Lead wire length symbols: 0.5 m Nil (Example) M9NW
1 m M (Example) M9NWM
3 m L (Example) M9NWL
5 m Z (Example) M9NWZ

* Solid state auto switches marked with "○" are produced upon receipt of order.

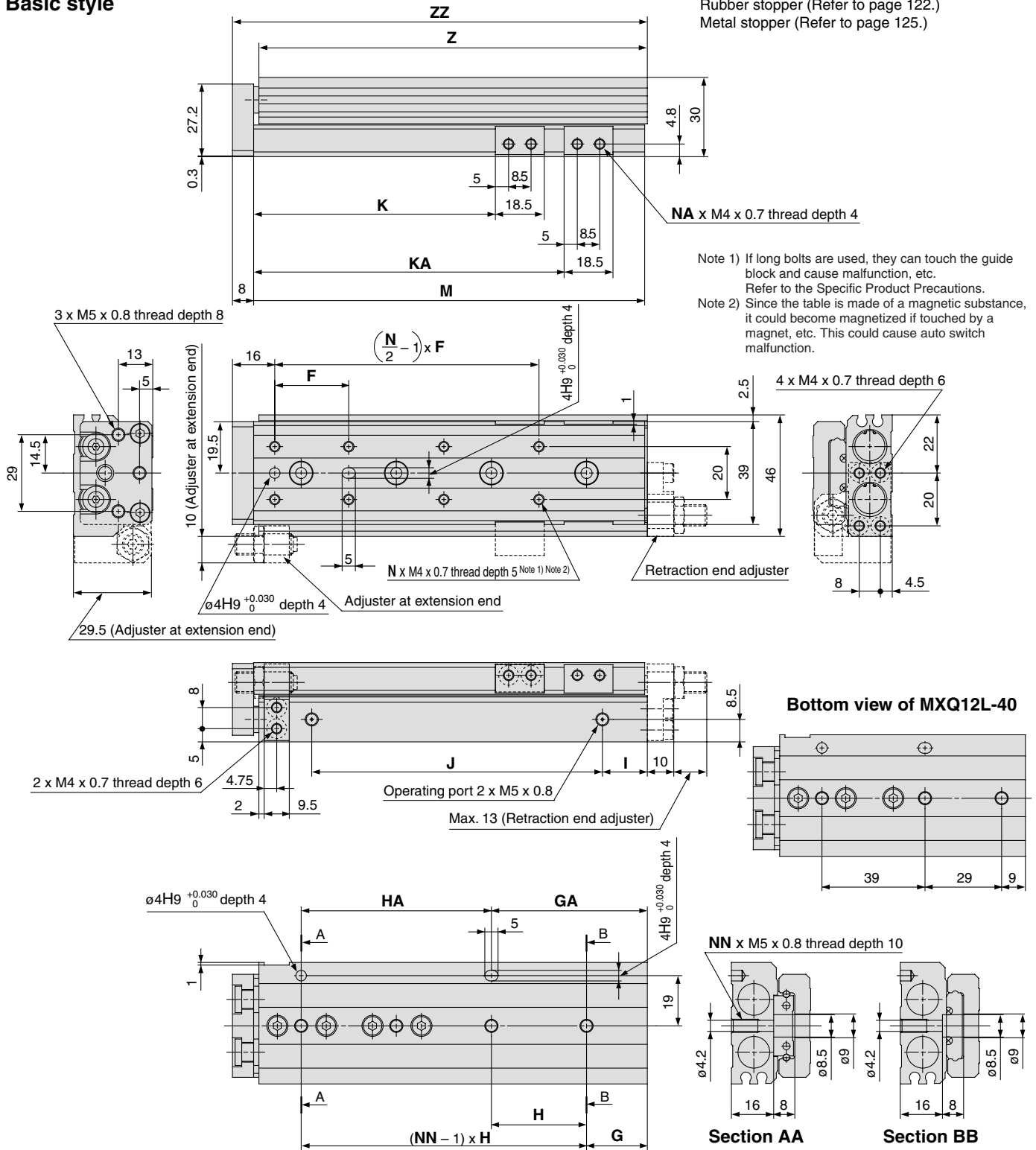
* Since there are other applicable auto switches than listed, refer to page 128 for details.
* For details about auto switches with pre-wired connector, refer to pages 1784 and 1785.
* Auto switches are shipped together (not assembled).

Series MXQ

Dimensions: MXQ12L/Symmetric Type

Basic style

* For detailed dimensions about the stroke adjuster, refer to the option for the stroke adjuster.
 Rubber stopper (Refer to page 122.)
 Metal stopper (Refer to page 125.)



| Model | F | N | G | H | NN | GA | HA | I | J | K | KA | NA | M | Z | ZZ |
|------------|----|----|-------|-------|----|----|----|----|-----|-------|-------|----|-----|-----|-----|
| MXQ12L- 10 | 28 | 4 | 18 | 32 | 2 | 18 | 32 | 12 | 34 | 26.5 | — | 4 | 67 | 66 | 76 |
| MXQ12L- 20 | 28 | 4 | 18 | 32 | 2 | 18 | 32 | 12 | 34 | 36.5 | — | 4 | 67 | 66 | 76 |
| MXQ12L- 30 | 38 | 4 | 20 | 40 | 2 | 20 | 40 | 14 | 42 | 46.5 | — | 4 | 77 | 76 | 86 |
| MXQ12L- 40 | 34 | 6 | Note) | Note) | 3 | 38 | 39 | 15 | 58 | 56.5 | — | 4 | 94 | 93 | 103 |
| MXQ12L- 50 | 34 | 6 | 9 | 39 | 3 | 48 | 39 | 13 | 70 | 66.5 | — | 4 | 104 | 103 | 113 |
| MXQ12L- 75 | 36 | 8 | 23 | 36 | 4 | 59 | 72 | 17 | 110 | 91.5 | 117.5 | 8 | 148 | 147 | 157 |
| MXQ12L-100 | 36 | 10 | 12 | 36 | 5 | 84 | 72 | 17 | 135 | 116.5 | 142.5 | 8 | 173 | 172 | 182 |

Note) Refer to the bottom view of MXQ12L-40.