

Full Metal Hoods

DTSL-T-LJS-RG+High Density D-Sub Solder Cup

TECHNICAL SPECIFICATIONS

**D-Sub Hood:**

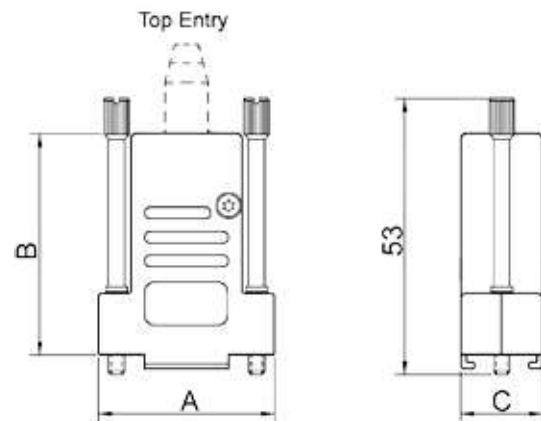
Material: Zinc, Nickel Plated  
 Operating Temperature: -40°C to +120°C  
 Cable Entry: Top Entry  
 Rubber Grommet RGS  
 Strain relief: Clamp + Insert  
 Thumbscrews: **Long Jackscrews**  
 UNC 4-40 (Standard)  
 Cable O.D: Up to 11.5mm

**High Density D-Sub Solder Cup:**

Insulator: Glass filled TP, UL94 V-0  
 Shell: Steel, Tin Plated  
 Contact pins: Copper Alloy  
 Stamped & Formed Pins: Class 3, 100 inserts min.  
 Contact Plating: Gold flash over Nickel  
 Operating Temperature: -55°C to +85°C  
 Withstanding voltage: >1000V Rms to 50 Hz  
 for 1 minute  
 Current Rating: 3A  
 Insulator resistance: >5000MΩ min.

**Features:**

- Available in Sizes HD15-26-44-62
- Long Jackscrews
- 360° EMI Shielding
- Quick assembly
- Pre-mounted locking screws



| Size DTSL | Dim A | Dim B | Dim C |
|-----------|-------|-------|-------|
| 9-way     | 32,2  | 42,0  | 15,0  |
| 15-way    | 40,8  | 42,3  | 15,0  |
| 25-way    | 54,0  | 42,3  | 15,0  |
| 37-way    | 70,5  | 48,0  | 15,0  |

Ordering information:

High Density D-Sub Connector Kits

| Size: | P/N - Kitted:                 | Description:        |
|-------|-------------------------------|---------------------|
| HD 15 | L17DTSL09-LJS-RG-T+L717HDE15P | Solder Cup, 15-Male |
| HD 26 | L17DTSL15-LJS-RG-T+L717HDA26P | Solder Cup, 26-Male |
| HD 44 | L17DTSL25-LJS-RG-T+L717HDB44P | Solder Cup, 44-Male |
| HD 62 | L17DTSL37-LJS-RG-T+L717HDC62P | Solder Cup, 62-Male |

| Size: | P/N - Kitted:                | Description:          |
|-------|------------------------------|-----------------------|
| HD 15 | L17DTSL09-LJS-RG-T+L77HDE15S | Solder Cup, 15-Female |
| HD 26 | L17DTSL15-LJS-RG-T+L77HDA26S | Solder Cup, 26-Female |
| HD 44 | L17DTSL25-LJS-RG-T+L77HDB44S | Solder Cup, 44-Female |
| HD 62 | L17DTSL37-LJS-RG-T+L77HDC62S | Solder Cup, 62-Female |