

# GPS Active Internal Patch

## APAM1368YB13V3.0

RoHS/RoHS II compliant

MSL level: N/A



13.0 x 13.0 x 6.8mm

### FEATURES:

- Compact Size
- Easy to Install
- RoHS Compliant

### TYPICAL APPLICATIONS:

- Automotive Navigation, Marine buoys
- Personal Tracking
- Surveying equipment, Cell phone, Laptop
- Healthcare and medical monitoring devices, PND, PDA

### STANDARD SPECIFICATIONS:

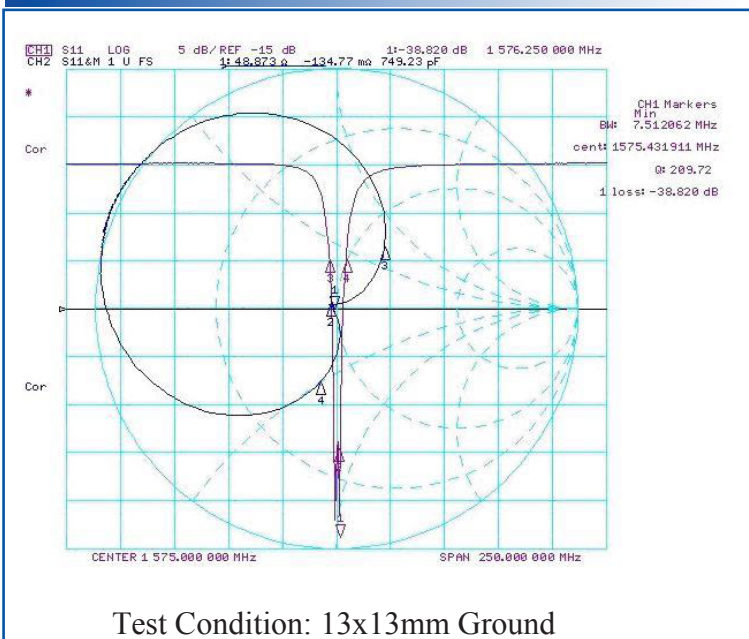
#### Antenna

Parameters	Min.	Typ.	Max.	Units	Note
Center Frequency	1575.42± 1.02			MHz	
Bandwidth	5			MHz	
Gain		1.0		dBic	(Peak gain on 70*70mm Ground Plane facing Zenith.)
VSWR @ Center Frequency		1.5			
Polarization Model	RHCP				(Right Hand Circular Polarization)
Impedance	50			Ω	
Working Temperature	-25		+72	°C	
Storage Temperature	-45		+85	°C	

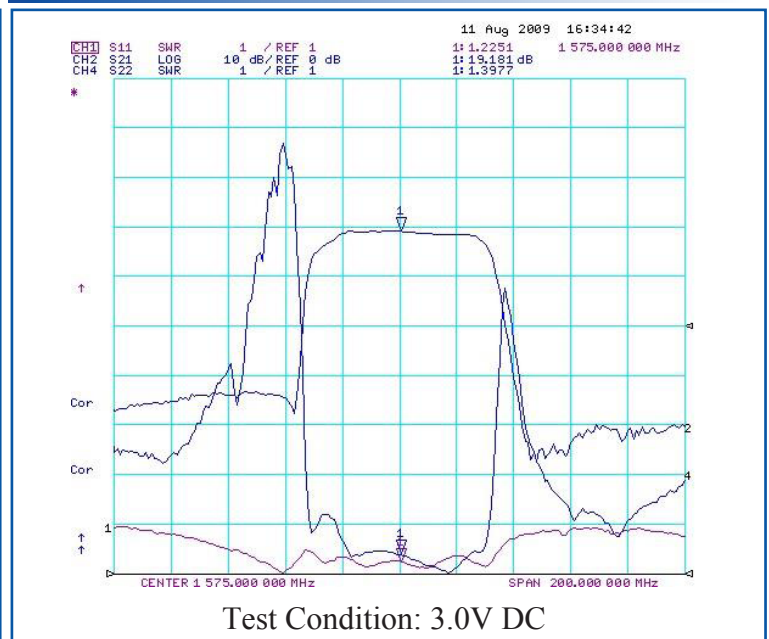
#### Low Noise Amplifier (LNA)

Parameters	Min.	Typ.	Max.	Units	Note
Center Frequency	1575.42± 1.02			MHz	
DC Voltage	2.70		3.30	V	
Gain		19		dB	(Without cable +25°C± 10°C)
Output VSWR		1.5			
Noise Figure		1.3			(+25°C± 10°C)
DC current		3.5		mA	(At 3.0V)

### SMITH CHART



### GPS LNA GAIN PLOT



# GPS Active Internal Patch

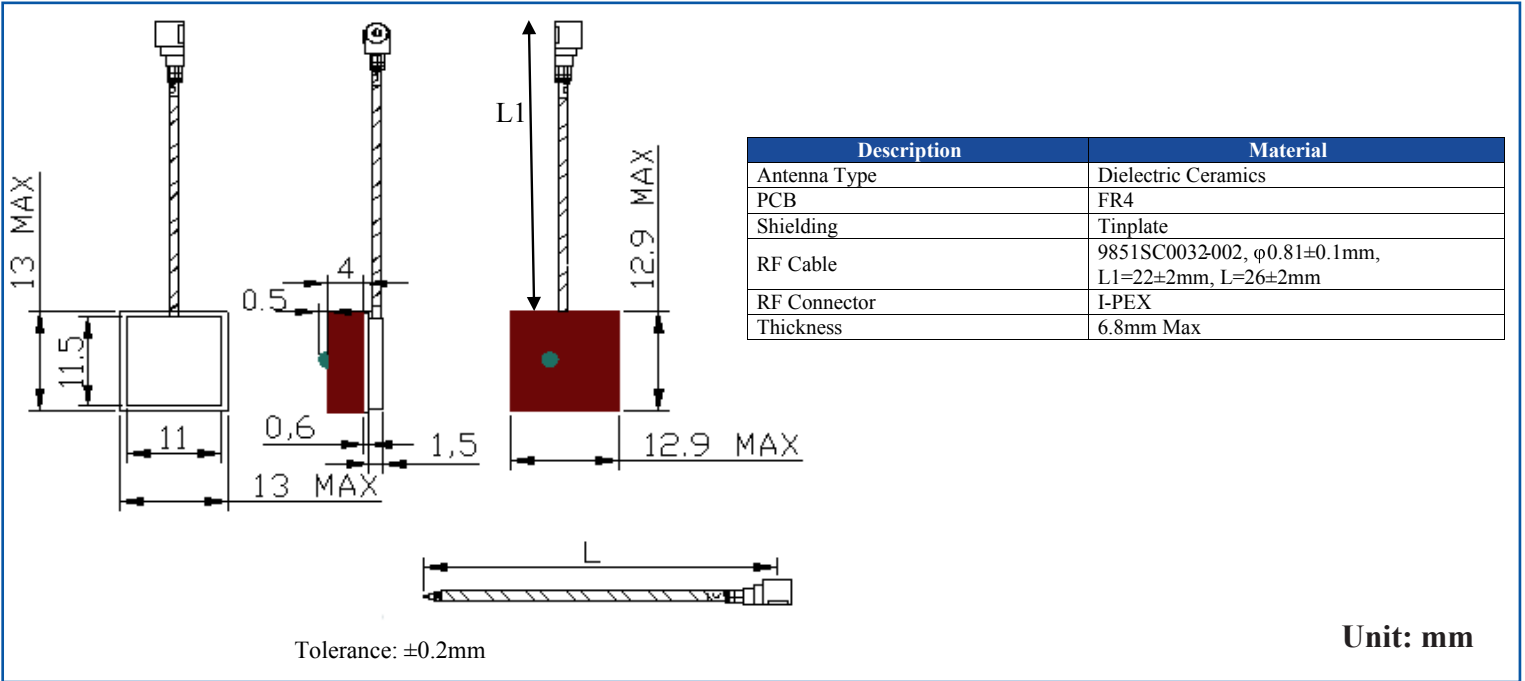
APAM1368YB13V3.0

RoHS/RoHS II compliant

MSL level: N/A

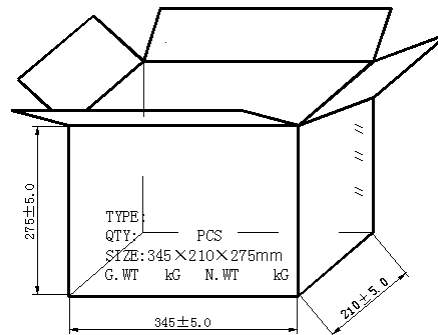
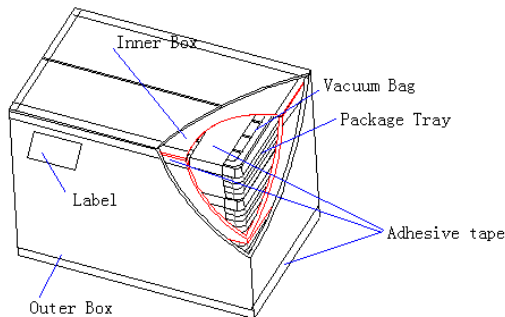
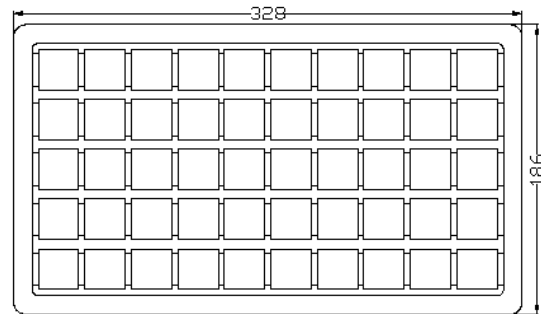


## OUTLINE DIMENSION:



## PACKAGING

Package Type	Quantity
MOQ	250 pcs
Tray	50 pcs/tray
Vacuum	5 trays per Vacuum bag (250pcs per bag)
Outer Box	4 bags = 1000 pcs/carton



The GPS antenna 50 pcs are packed per tray, 5 trays are packed per vacuum bag, 4 vacuum bags per carton, and 1000 pcs GPS antenna per carton. The size of each carton is 345\*210\*275mm.

**ATTENTION:** Abracon LLC's products are COTS – Commercial-Off-The-Shelf products; suitable for Commercial, Industrial and, where designated, Automotive Applications. Abracon's products are not specifically designed for Military, Aviation, Aerospace, Life-dependant Medical applications or any application requiring high reliability where component failure could result in loss of life and/or property. For applications requiring high reliability and/or presenting an extreme operating environment, written consent and authorization from Abracon LLC is required. Please contact Abracon LLC for more information.