

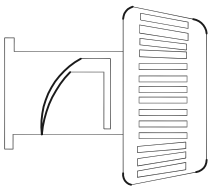
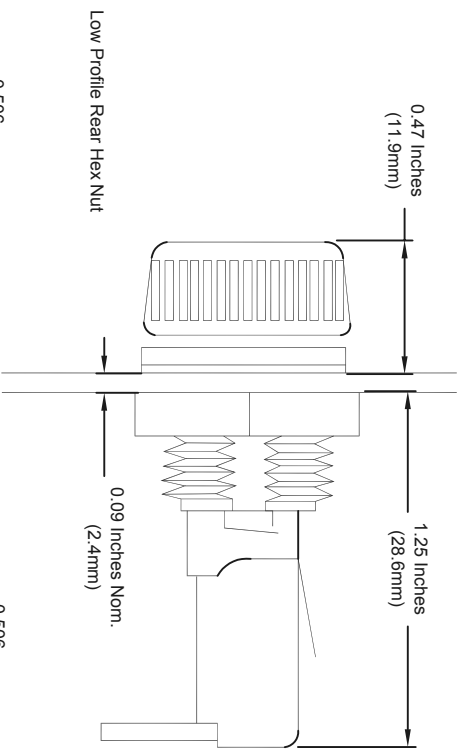
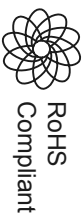
ALL RIGHTS RESERVED. NO PORTION OF THIS PUBLICATION, WHETHER IN WHOLE OR IN PART CAN BE REPRODUCED WITHOUT THE EXPRESS WRITTEN CONSENT OF SPC TECHNOLOGY.

SPC-F005.DWG

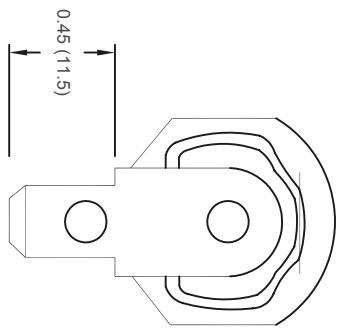
REVISIONS

DCP #	REV	DESCRIPTION	DRAWN	DATE	CHECKD	DATE	APPRVD	DATE
			VEE	18-08-10	JAG	21-08-10	XXX	01-09-10

DOC. NO. SPC-F005 \* Effective: 7/8/02 \* DCP No: 1398

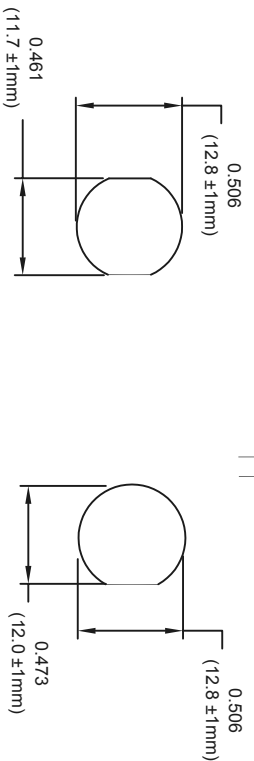


Knob Carrier



Terminal

Mounting Hole



Part Number Table

Description	Part Number
Panel Mount Fuseholder	MCHTB-281-RH

Agency Approvals: UL Recognized - Guide IZLT2, File E14853 20A (3/16" quick-connect 15A) at 250 VAC  
 VDE - 10A at 250 VAC; 49890  
 SEMKO - 10A at 250 VAC; 8945092, 9005230  
 Electrical Data: Insulation resistance (per IEC #257) - 10,000 ohms at 500 VDC; Contact resistance (per IEC #257) - 0.005 ohms maximum at 1A; stand-off voltage (per IEC #257) - 480V/Mil at 125 in thickness.  
 Environmental: Minimum/Maximum operating temperature -55°C to 85°C.  
 Molded Components: High temperature, flame retardant, thermoplastic; UL Component Recognized: 94V0; mounting nut, spacer-black polycarbonate.  
 Terminals: Tin-plated brass.  
 Mounting: Withstands 15 to 20 lbs-ins torque to mounting nut when mounting Fuseholder to panel; Maximum panel thickness 0.300 inches.  
 CE logo denotes compliance with European Union Low voltage Directive (50-1000 VAC; 75-1500 VDC).  
 Dimensional Data:  
 Length: 1.69 (42.9)  
 Maximum Panel Thickness: 0.30 (7.62)  
 Terminal: 1/4" Quick-Connect, Right Angle  
 Carrier Type: KNOB  
 Fuse Type: 1/4" x 1-1/4"

DISCLAIMER:

ALL STATEMENTS AND TECHNICAL INFORMATION CONTAINED HEREIN ARE BASED UPON INFORMATION AND/OR TESTS WE BELIEVE TO BE ACCURATE AND RELIABLE. SINCE CONDITIONS OF USE ARE BEYOND OUR CONTROL, THE USER SHALL DETERMINE THE SUITABILITY OF THE PRODUCT FOR THE INTENDED USE AND ASSUME ALL RISK AND LIABILITY WHATSOEVER IN CONNECTION THEREWITH.

TOLERANCES:

UNLESS OTHERWISE SPECIFIED, DIMENSIONS ARE FOR REFERENCE PURPOSES ONLY.

DRAWN BY:

VEE

DATE:

18-08-10

CHECKED BY:

JAG

DATE:

21-08-10

APPROVED BY:

XXX

DRAWING TITLE:

Panel Mount Fuseholder

SIZE:

A

DWG. NO.:

XXX

ELECTRONIC FILE

92N5195

SCALE:

NTS

U.O.M.: Millimeters

U.O.M.: Millimeters

SHEET:

1

OF

1