

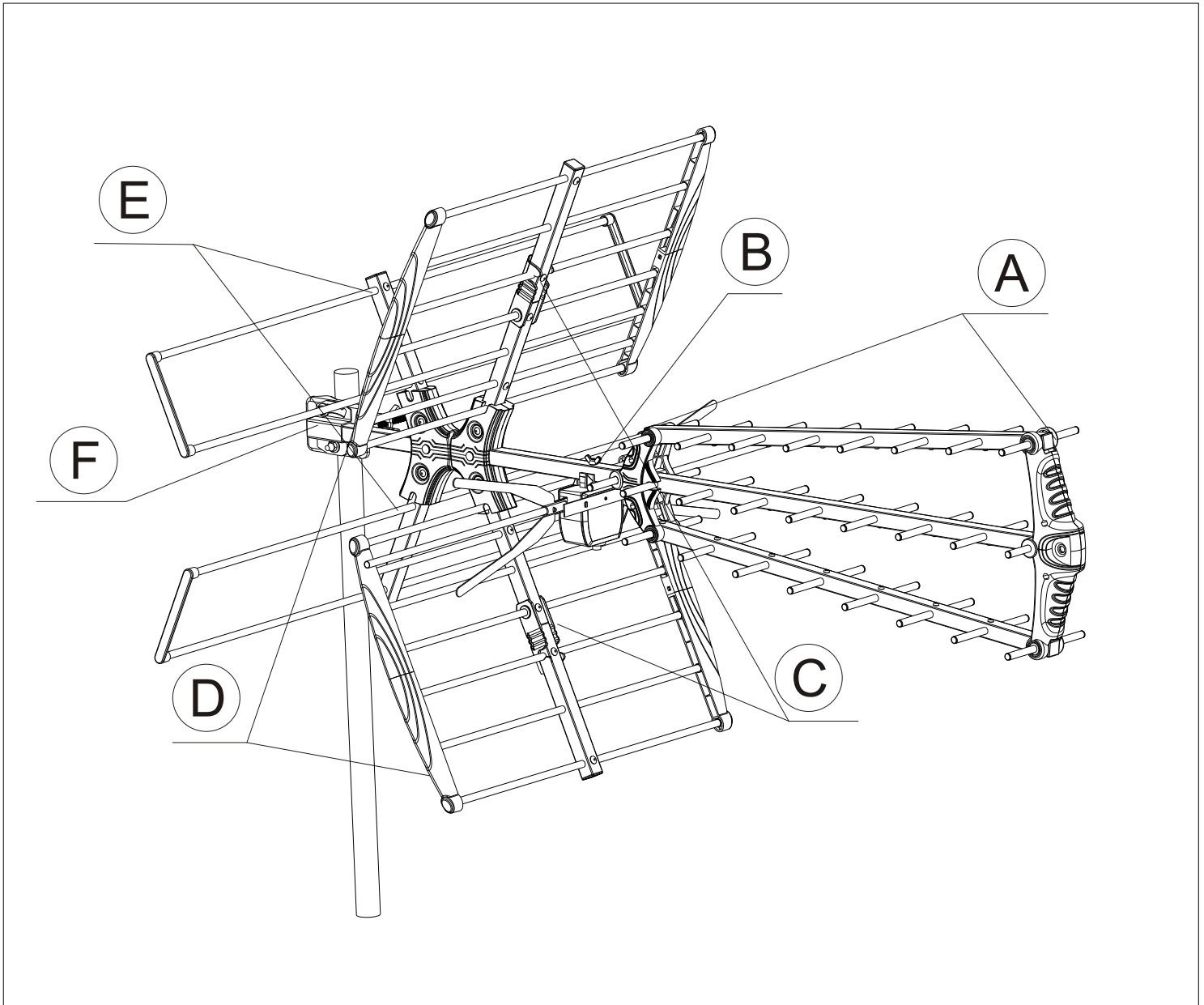
Model #30-2440
 Fringe Yagi UHF/VHF - HDTV
 Television Antenna

Distributed exclusively by:
 MCM Electronics
www.mcmelectronics.com

Technical data:

| Frequency Range | Channels | Impedance | No. of elements | Antenna Gain | Front-back ratio | Beam width H/V | Antenna Length |
|--------------------------|---------------|-------------|-----------------|-------------------|-------------------|------------------------|----------------|
| 174~230Mhz 470~862Mhz | 7-13 14-69 | 75 Ω | 28 | 7-10dB 10-14dB | 7-16dB 16-30dB | H66°/V38° H43°/V31° | 1100mm |

Antenna Assembly:



Antenna Assembly:

