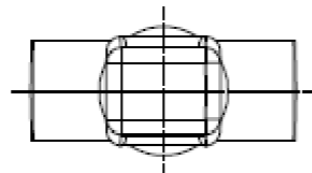
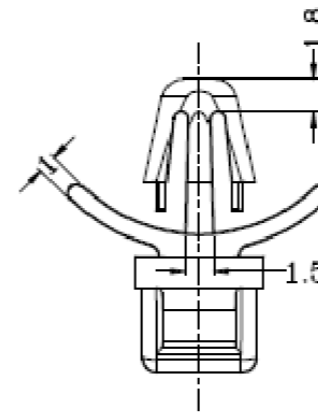
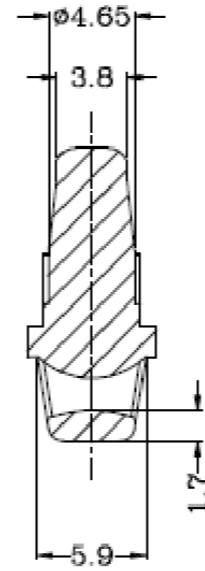
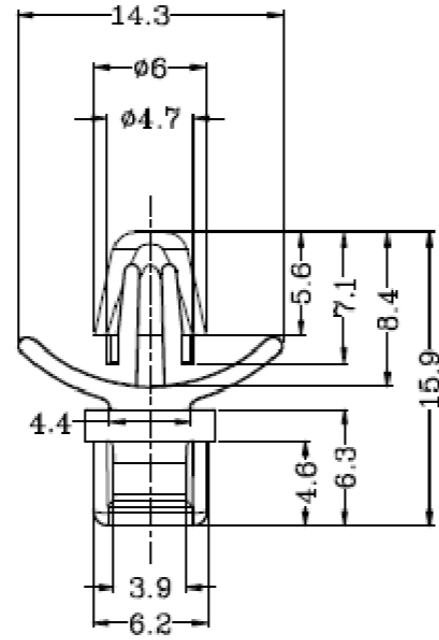
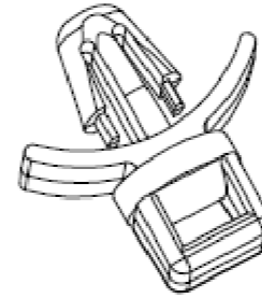
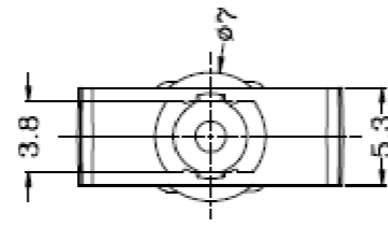


DEBUR AND BREAK SHARP EDGES

DO NOT SCALE DRAWING

REVISION



B DRG.No.CHANGED
M.E. 01/07/14
A DRAWN 01/11/13

NOTES

1. MATERIAL: Nylon66 UL94V-2;
2. COLOR: NATURAL;
3. ROHS Compliant;
4. Hole: $\varnothing 4.75 \pm 0.08\text{mm}$,
Panel Thickness: 0.79-1.98mm;



DESIGN RIGHT. TR FASTENINGS LTD, 2003
UNDER NO CIRCUMSTANCES MUST THIS
DRAWING BE COPIED OR DISCLOSED,
WITHOUT FIRST OBTAINING WRITTEN
AUTHORITY.

UNLESS OTHERWISE SPECIFIED:
DIMENSIONS ARE IN MILLIMETERS
SURFACE FINISH:
TOLERANCES:

| | |
|----------------------|----------|
| ISO 2768 m | |
| NAME | DATE |
| DRAWN MARTIN ELLIOTT | 01/11/13 |
| CHK'D | |
| APPV'D | |

CUSTOMER PART No

MATERIAL:

SEE NOTES

HEAT TREATMENT

N/A

FINISH:

N/A

TITLE:

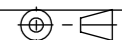
FLAT TIE HOLDER
ARROWHEAD

DWG NO.

TRFTH-3-01

A3

PROJECTION



SHEET 1 OF 1