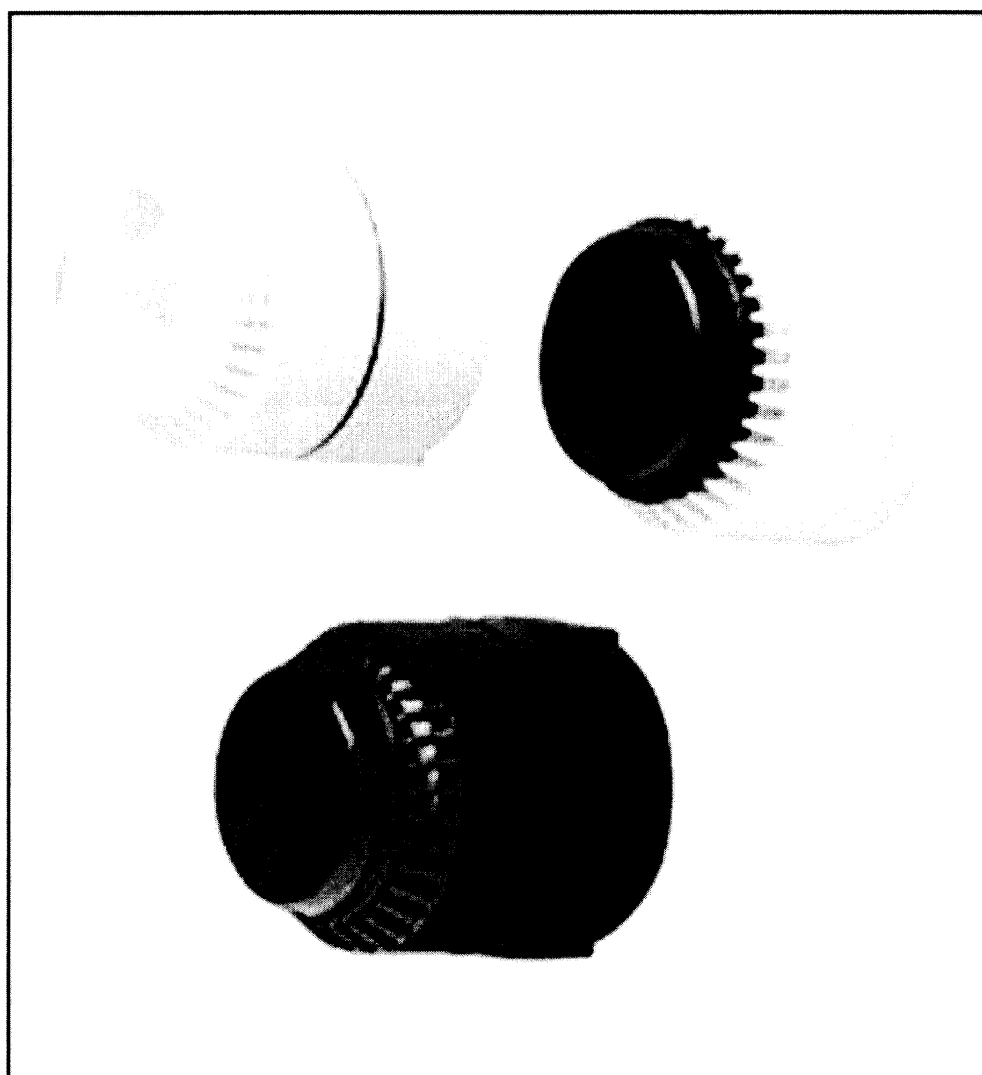


Fulleon

◀ Back to Contents

DATASHEETS

Flashni



Combined Sounder and Beacon

Providing an audio-visual warning, the Flashni combines the features of a Roshni Electronic Sounder with a fully integrated Xenon Beacon.

The result is an attractively designed unit suitable for installation in internal or external locations where a combination of high sound output and visual indication is required, such as elderly people's dwellings and areas with high ambient noise levels.

The Flashni is available in 12V DC or 24V DC versions, each with a

- **COMPACT DESIGN SUITABLE FOR A WIDE RANGE OF LOCATIONS**
- **SINGLE TERMINAL BLOCK FOR EASE OF INSTALLATION**
- **AVAILABLE WITH DEEP OR SURFACE MOUNTING**

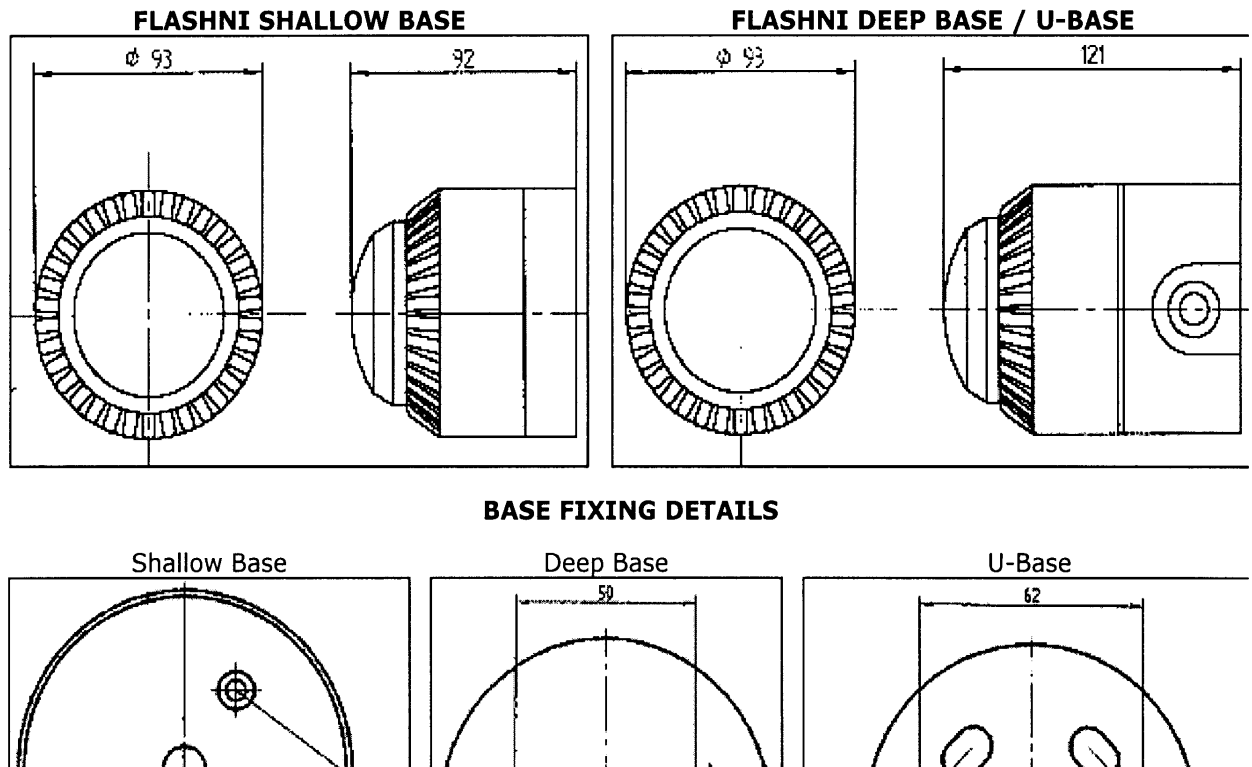
wide range of lens and sounder colour combinations, to suit fire or security system requirements. It is available with a shallow, deep or 'U' base and is compatible with the Roshni sounders and Xenon Beacon ranges, providing easy retrofits and upgrades where required.

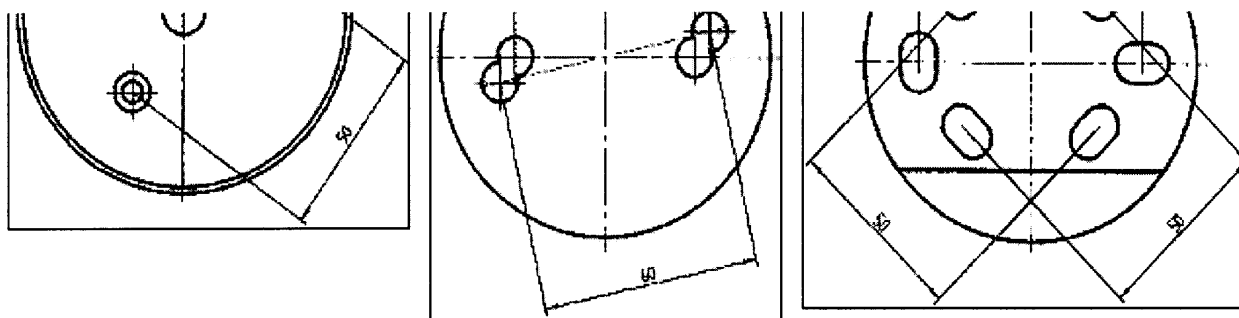
'U' BASE FOR SURFACE WIRING

- **WEATHER RESISTANT TO IP65 WHEN USED WITH DEEP BASE OR 'U' BASE**
- **HIGH EFFICIENCY FREZNEL LENS FOR MAXIMUM LIGHT OUTPUT**
- **CHOICE OF LENS/SOUNDER COLOUR COMBINATIONS**
- **AUTOMATIC SOUNDER SYNCHRONISATION**
- **VOLUME CONTROL AS STANDARD**

Flashni Combined Sounder & Beacon Specification

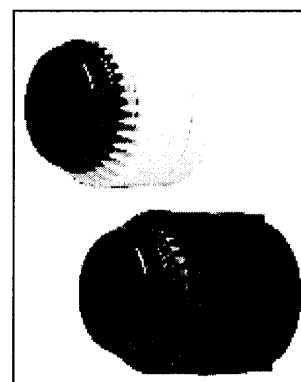
The termination and operation of the Flashni is identical to that of the standard Roshni sounder except that as well as the sounder operating, a 0.7J xenon beacon mounted on the front of the sounder moulding will flash. As standard, the sounders have two pre-set tones. For the 12Vdc version these are tone 5 (Sweeping 2400/2850 Hz at 7 Hz) and tone 4 (Continuous at 2850 Hz). For the 24Vdc version the standard sounds are tone 3 (Sweeping 800/970 Hz at 1 Hz) and tone 14 (Continuous at 970 Hz) which comply with the requirements of BS5839 Part 1 1988. Other tones can be programmed to special order. The beacon operates when either the first or second tone is selected. A version of the Flashni is also available having separate control facilities for the sounder and beacon. This version has a single tone only.





SPECIFICATION

	12Vdc version	24Vdc version
Operation	Continuously Rated	
Operating Voltage range	9 - 15Vdc	18 - 30Vdc
Current Consumption	110mA (average)	68mA (average)
Sound Output	101dB(A) at 1 metre	101 dB(A) at 1 metre
Volume Control	0 to -20 dB adjustment	
Automatic Synchronisation	Synchronised start (sound only)	
Flash Energy	0.7 Joules	
Flash Frequency	60 per min.	
Ingress Protection	IP65 (with deep base & 'U' base)	
Operating Temperature	-10°C to +55°C	
Construction	ABS plastic body with Polycarbonate lens	
Dimensions	92mm depth (shallow base) 93mm dia. x 121mm depth (deep base)	
Colour Sounder	Red or White	
Colour Lens	Red,Amber,Blue,Green or clear	

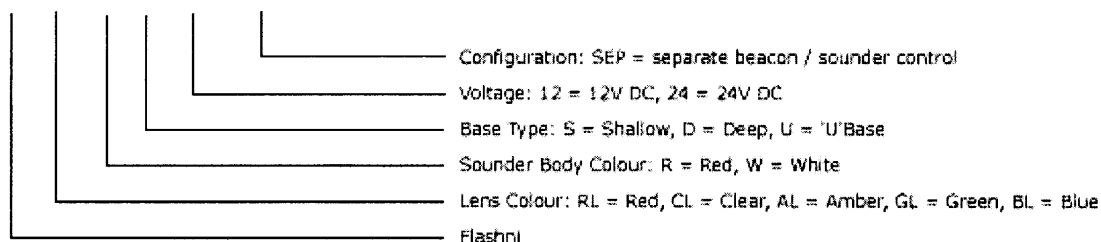


ORDERING CODES

FL / _ / _ / _ / _ / _

EXAMPLE FL/RL/W/D/24

Flashni / Red lens / White sounder body / Deep base / 24V DC



We reserve the right to change, without prior notice, the specification of these products from that detailed.
Data shown is typical for operation under normal ambient condition

FULLEON LTD

Llantarnam Park, Cwmbran, Gwent NP44 3AW.

Tel: +44 (0) 1633 872131 Fax: +44 (0) 1633 866346

E-mail: sales@fulleon.co.uk URL:

<http://www.fulleon.co.uk>



◀ Back to Contents