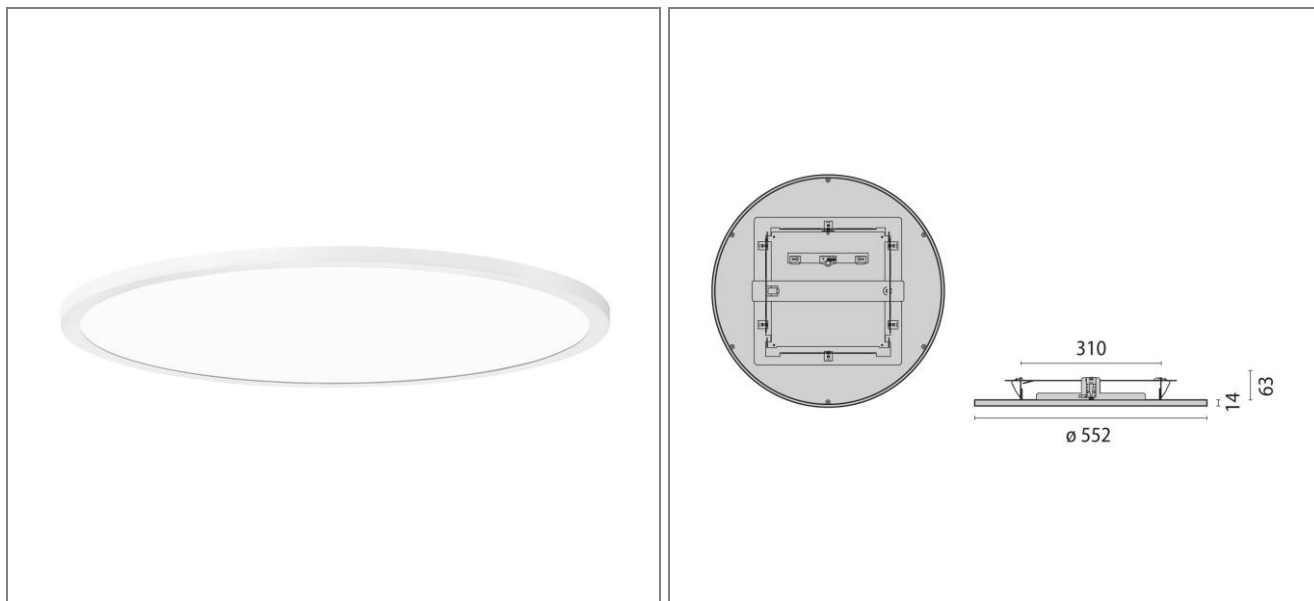


ART.: 8555591516410

FL ROUND 555 EB OP



Art.: 8555591516410, FL ROUND 555 EB, Direct, 50W, 4000K, Driver dali, 551mm, Symmetrical, > 75°, White, Recessed round LED luminaire for indoors, consisting of: Housing made from sheet steel and diecast aluminium, powder-coated / The fitting is available with different light optics: Micro-prismatic diffuser for efficient light diffusion, glare reduction and a high uniformity / Opal white diffuser cover for optimum light diffusion and excellent uniformity / LED Sidelight-Technology and light orienting plastic optic for a homogenous light distribution over the entire area of the cover / Direct light distribution / Glare prevention in accordance with DIN EN 12464-1 (for designs with micro prism) / Colour rendering index Ra > 80 / Colour tolerance according to MacAdam ≤ 3 SDCM / Dimmable via TouchDIM / Complete with electric converter

Connected load	50 W
Luminous flux	6210 lm
Efficiency	124 lm/W
Colour temperature	4000K
Colour rendering (CRI)	80
IP class	20
Nominal voltage	220 – 240 V
Colour	WH-RAL9016
UGR	≤ 25

