



Card guides



Available card guides:

- standard card guide
- integrated card guide
- card guide with IEEE coding
- divided card guide

Standard card guide

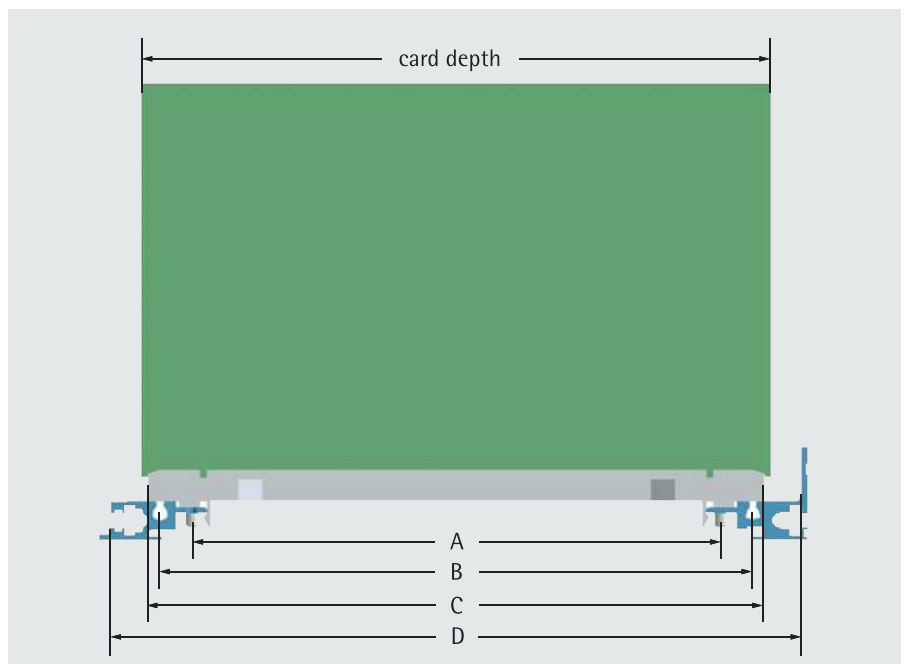
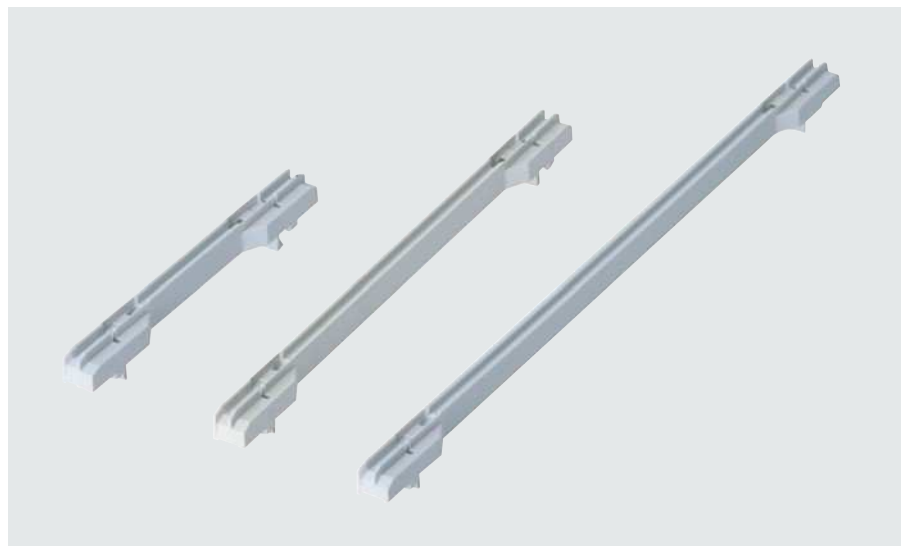
- for installing plug-in modules acc. to IEC 297-3-101/-102/-103
- groove width 2.6 mm for PCB thickness 1.6 mm
- for each card guide two ESD clips can be mounted in order to achieve up to 4 ESD contact points for the PCB
- card guides can be easily assembled to the module rails by simple clipfixation. If required, card guides can be secured with additional screws

Material:

plastic, classified acc. to UL 94-V 0

Finish:

similar RAL 7035 light grey



Card depth d mm	Order no.
220	240-406-00
160	240-401-00
100	240-402-00

Card depth mm	Dimensions mm			
	A	B	C	D
220	194	210	216,5	235,3
160	134	150	156,5	175,3
100	74	90	96,5	115,3