



Terminals & Splices > Magnet Wire Terminals



Terminal & Splice Type: **Receptacle**

Magnet Wire Terminal Terminal Type: **Receptacle**

Magnet Wire Terminal Mating Pin Diameter: **2.31 mm [.091 in]**

Terminal Height: **4.57 mm [.18 in]**

Magnet Wire Terminal Wire Insulation Diameter (Max): **3 mm [.118 in]**

## Features

### Product Type Features

Support Style	Insulation Support
Magnet Wire Terminal Wire/Cable Type	Regular Wire
Sealable	No

### Body Features

Magnet Wire Terminal Plating Material	Tin
---------------------------------------	-----

### Contact Features

Terminal & Splice Type	Receptacle
Magnet Wire Terminal Terminal Type	Receptacle
Magnet Wire Terminal Mating Pin Diameter	2.31 mm[.091 in]
Magnet Wire Terminal Terminal Orientation	Straight

### Termination Features

Magnet Wire Terminal Termination Method	Crimp
---	-------

### Housing Features

Housing Retention Force	Standard
-------------------------	----------



### Dimensions

Terminal Height	4.57 mm [.18 in]
Magnet Wire Terminal Wire Insulation Diameter (Max)	3 mm [.118 in]
Accepts Wire Insulation Diameter Range	2.3 – 3 mm [.091 – .118 in]
Wire Size	.7 – 1.6 mm <sup>2</sup>
Magnet Wire Terminal Material Thickness	.41 mm [.016 in]
Stock Thickness (Magnet Wire Side)	.41 mm [.016 in]
Magnet Wire Terminal Overall Length	17.3 mm [.68 in]

### Usage Conditions

Insulation Requirement	Uninsulated
------------------------	-------------

### Packaging Features

Packaging Quantity	5000
Magnet Wire Terminal Packaging Method	Reel

### Other

Comment	With oval mating face.
---------	------------------------

## Product Compliance

[For compliance documentation, visit the product page on TE.com>](#)

EU RoHS Directive 2011/65/EU	Compliant
EU ELV Directive 2000/53/EC	Compliant
China RoHS 2 Directive MIIT Order No 32, 2016	No Restricted Materials Above Threshold
EU REACH Regulation (EC) No. 1907/2006	Current ECHA Candidate List: JAN 2021 (211) Candidate List Declared Against: JAN 2021 (211) Does not contain REACH SVHC
Halogen Content	Low Halogen - Br, Cl, F, I < 900 ppm per homogenous material. Also BFR/CFR/PVC Free
Solder Process Capability	Not applicable for solder process capability

#### Product Compliance Disclaimer

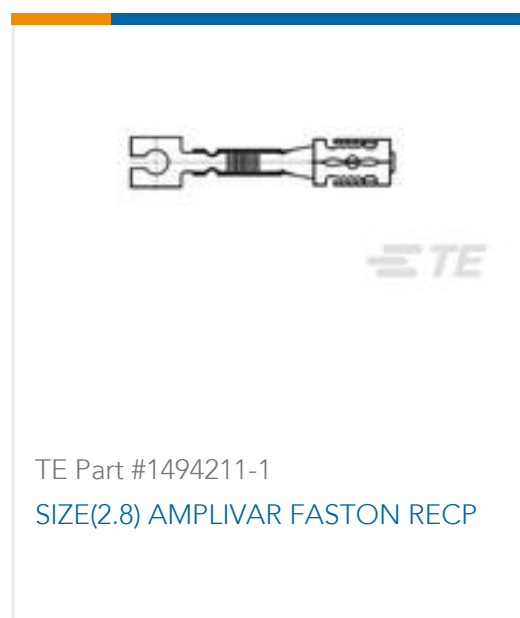
This information is provided based on reasonable inquiry of our suppliers and represents our current actual knowledge based on the information they provided. This information is subject to change. The part numbers that TE has identified as EU RoHS compliant have a maximum concentration of 0.1% by weight in homogenous materials for lead, hexavalent chromium, mercury, PBB, PBDE, DBP, BBP, DEHP, DIBP, and 0.01% for cadmium, or qualify for an exemption to these limits as defined in the Annexes of Directive 2011/65/EU (RoHS2). Finished electrical and electronic equipment products will be CE marked as required by Directive 2011/65/EU. Components may not be CE marked. Additionally, the part

numbers that TE has identified as EU ELV compliant have a maximum concentration of 0.1% by weight in homogenous materials for lead, hexavalent chromium, and mercury, and 0.01% for cadmium, or qualify for an exemption to these limits as defined in the Annexes of Directive 2000/53/EC (ELV). Regarding the REACH Regulation, the information TE provides on SVHC in articles for this part number is based on the latest European Chemicals Agency (ECHA) 'Guidance on requirements for substances in articles' posted at this URL: <https://echa.europa.eu/guidance-documents/guidance-on-reach>

## Compatible Parts



## Customers Also Bought





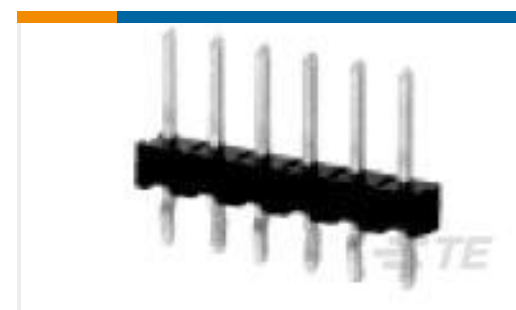
TE Part #1-1879629-1  
H4P 220K 0.5% 50PPM



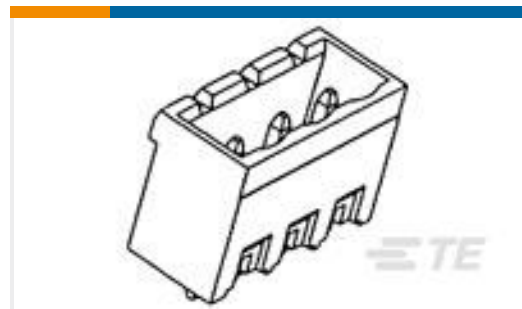
TE Part #1825142-2  
AE101MD1AG04



TE Part #964339-1  
MAG MATE KONT. MKII



TE Part #104344-3  
05 MODII HDR SRST B/A W/HD



TE Part #1-1546111-0  
EUROSTYLE TB,HEADER,GREY,10POS



TE Part #3-2176367-7  
RQ 0603 11K 0.1% 10PPM 1K RL

## Documents

### Product Drawings

#### RECEPT CLUSTER

English

### CAD Files

#### 3D PDF

3D

#### Customer View Model

[ENG\\_CVM\\_CVM\\_141101-2\\_H\\_c-141101-2-h.2d\\_dxf.zip](#)

English

#### Customer View Model

[ENG\\_CVM\\_CVM\\_141101-2\\_H\\_c-141101-2-h.3d\\_igs.zip](#)

English

#### Customer View Model

[ENG\\_CVM\\_CVM\\_141101-2\\_H\\_c-141101-2-h.3d\\_stp.zip](#)

English

By downloading the CAD file I accept and agree to the [Terms and Conditions](#) of use.

### Datasheets & Catalog Pages

#### Magnet Wire Terminals & Splices

English

### Product Specifications

#### Application Specification

English

### Agency Approvals

#### Agency Approval Document

141101-2

Magnet Wire Terminals, Receptacle, Receptacle, Magnet Wire Terminal Mating Pin  
Diameter 2.31 mm [.091 in], Terminal Height 4.57 mm [.18 in]



English