

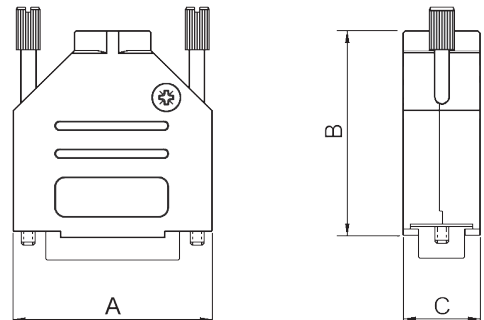
TECHNICAL SPECIFICATIONS

D-Sub Hood:

Material: Zinc, Nickel Plated
 Operating Temperature: -40°C to +120°C
 Cable Entry: Top Entry
 Thumbscrews: UNC 4-40 (Standard)
 Cable O.D.: Up to 11,5mm (Size 9-37)
 Up to 17mm (Size 50)

D-Sub High Density:

Insulator: PBT, Black, UL94 V-0
 Shell: Stamped Steel, Tin Plated
 Contact pins: Copper Alloy
 Stamped & Formed pins: 100 inserts min
 Contacts Plating: Selective Gold over Nickel
 Operating Temperature: -55°C to +105°C
 Withstanding voltage: 500V for 1 minute
 Insulator resistance: 500MΩ min



D-Sub-Hood

Features:

- Available in sizes 9-15-25-37
- Packed in Kit with FEMALE/MALE HD-connector
- Re-openable
- Full Metal Jackscrew as standard.

Size DTZK	Dim A	Dim B	Dim C
9-way	31,0	39,5	15,0
15-way	39,5	41,5	15,0
25-way	53,5	48,5	15,0
37-way	71,0	53,0	15,0
50-way			

Ordering information:

D-Sub Connector Kits (100 inserts min.)

Size:	P/N - Kitted:	Product Code - MALE Conn. Kit
HD 15	6355-0012-01	DTZK09-HDP15-K
HD 26	6355-0012-02	DTZK15-HDP26-K
HD 44	6355-0012-03	DTZK25-HDP44-K
HD 62	6355-0012-04	DTZK37-HDP62-K
HD 78	6355-0012-05	DTZK50-HDP78-K

Size:	P/N - Kitted:	Product Code - FEMALE Conn. Kit
HD 15	6355-0012-11	DTZK09-HDS15-K
HD 26	6355-0012-12	DTZK15-HDS26-K
HD 44	6355-0012-13	DTZK25-HDS44-K
HD 62	6355-0012-14	DTZK37-HDS62-K
HD 78	6355-0012-15	DTZK50-HDS78-K