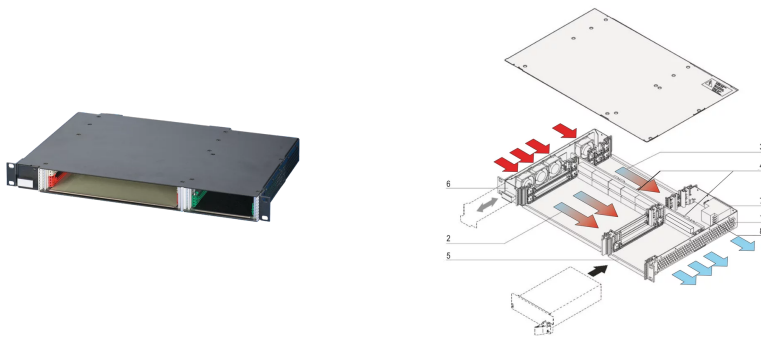


24579-078 CPCI SYSTEM FOR PLUGGABLE PSU, HORIZONTAL, 1 U, 2 SLOT



KEY FEATURES

In accordance with IEC-60297-3-101, -102, -103; IEEE-1101.1, 1101.10/11; backplane in accordance with PICMG-2.0 rev. 3.0

System with horizontal card cage. Board format Front: 6-U, 160-mm deep; Rear I/O: 6-U, 80-mm deep

Backplane (signal and power backplane in one unit)-2 slot, 6-U, 64-bit, System slot left, Power connector (1-x-P-47)

Heat dissipation by hot-swap fan unit (airflow right to left)

Prepared for the assembly of a 19" CompactPCI power supply (3-U, 8-HP)

PRODUCT ATTRIBUTES

Product Type: System

Number of Slots: 2

Type: 19" Rack Mount

Backplane Type: 6 U CompactPCI

Data Transfer: 64-bit PCI Bus

Power per Slot: 40 W

Input Voltage AC: 100 – 240 V

Airflow Direction: Right to Left

Rack Height: 1 U

Power Supply Type: (1) Pluggable PSU

Power Supply Included: No

Rear I/O: Yes

Complies With: PICMG 2.0 R3.0

Depth: 275 mm

Height: 44.64 mm

Width: 449 mm

ADDITIONAL PRODUCT DETAILS

1 U CompactPCI System with horizontal Card Cage for two 6 U Boards, two RTM Boards and one CompactPCI 3 U Pluggable Power Supply.

Modified systems available on request.

48-VDC version on request.

CERTIFICATIONS



North America

All locations
+1.763.422.2661
Chat with us:
schroff.nvent.com

Europe

Straubenhardt, Germany
+49.7082.794.0
Betschdorf, France
+33.3.88.90.64.90
Warsaw, Poland
+48.22.209.98.35
Assago, Italy
+39.02.932.7141
Chat with us:
schroff.nvent.com

Asia

Shanghai, China
+86.21.2412.6943
Qingdao, China
+86.532.8771.6101
Singapore
+65.6768.5800
Shin-Yokohama, Japan
+81.45.476.0271
Chat with us:
schroff.nvent.com

Middle East & India

Dubai, United Arab Emirates
+971.4.378.1700
Bangalore, India
+91.80.6715.2001
Istanbul, Turkey
+90.216.250.7374
Chat with us:
schroff.nvent.com



Our powerful portfolio of brands:
nVent.com **CADDY ERICO HOFFMAN RAYCHEM SCHROFF TRACER**

© 2023 nVent. All nVent marks and logos are owned or licensed by nVent Services GmbH or its affiliates. All other trademarks are the property of their respective owners.

nVent reserves the right to change specifications without notice.