

MFA. Push-pull clamps

Steel



- 1
- 2
- 3
- 4
- 5
- 6
- 7
- 8
- 9
- 10
- 11
- 12
- 13
- 14
- 15
- 16
- 17
- 18

MATERIAL

C10 zinc-plated steel.

RIVETS

Zinc-plated steel.

PUSH LEVER

Zinc-plated steel.

REFERENCE BUSHING

Zinc-plated brass.

NUT

Zinc-plated steel.

HANDLE

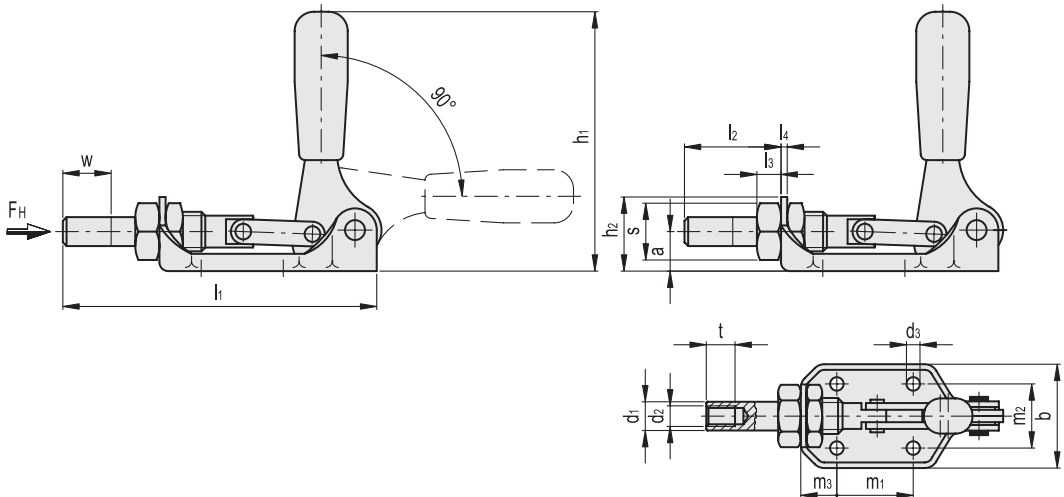
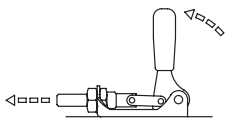
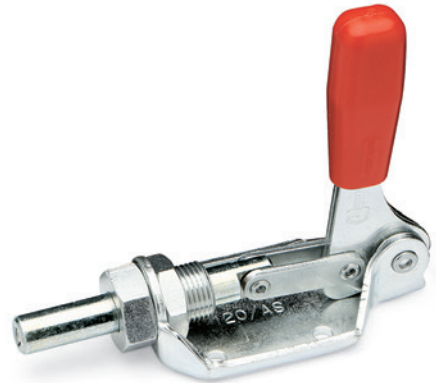
Polyurethane, red colour.

CLAMPING BOLTS

To be ordered separately.

FEATURES AND APPLICATIONS

All articulated joints are lubricated with special grease.
MFA. clamps ensure only perfect push clamping.



Code	Description	a	b	d1	d2	d3	h1	h2	l1	l2	l3	l4	m1	m2	m3	s	t	Stroke w	FH [N]*	Δ
GG.AG120	MFA.120-AS	17	48	12	M6	5.5	111	32	130	40	10	3	34	30	18	24	12	20	3600	350
GG.AG300	MFA.300-AS	20	58	14	M8	6.5	140	36	167	57	12	3	50	34	18	27	16	33	7200	560

* Holding force.

Toggle clamps

1472