

TLE. Hook clamps

Steel or stainless steel

TLF. Adjustable hook clamps

Steel or stainless steel

- 1
- 2
- 3
- 4
- 5
- 6
- 7
- 8
- 9
- 10
- 11
- 12
- 13
- 14
- 15
- 16
- 17
- 18



STANDARD EXECUTIONS

- **TLE.Z**: zinc-plated steel basic hook clamps.
- **TLE.SST**: AISI 304 stainless steel basic hook clamps.
- **TLEL.Z**: zinc-plated steel basic hook clamps with padlock holes.

SPECIAL EXECUTIONS ON REQUEST

- Hook clamps in unplated steel or nickel-plated steel.
- Catch brackets in different shapes and finishes.

STANDARD EXECUTIONS

- **TLF**: basic hook clamps.
- **TLFS**: hook clamps with security stop. RAL 3000 red technopolymer push button.

Indexes for materials and treatments to add to the above-mentioned standard executions:

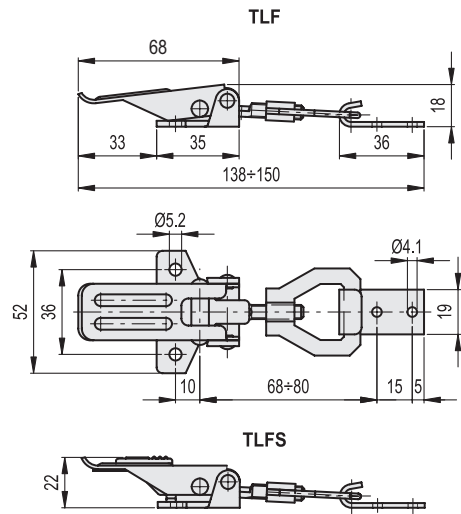
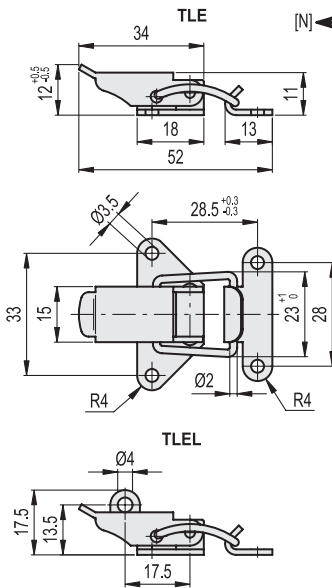
- **Z**: zinc-plated steel.
- **SST**: AISI 304 stainless steel.
- **NH**: nickel-plated steel.

SPECIAL EXECUTIONS ON REQUEST

- Hook clamps in unplated steel.
- Catch brackets in different shapes and finishes.



Radial strength tests



TLE.Z

Code	Description	Max. working load [N]	Load at breakage [N]	⚖️
420091	TLE.Z-15/52+R	550	1200	21

TLF.Z - TLFS.NH

Code	Description	Max. working load [N]	Load at breakage [N]	⚖️
420101	TLF.Z-24/138-150+R	1500	2500	101
420103	TLFS.NH-24/138-150+R	1500	2500	103

TLE.SST

420092	TLE.SST-15/52+R	550	1800	21
--------	-----------------	-----	------	----



TLEL.Z

420093	TLEL.Z-15/52+R	550	1800	21
--------	----------------	-----	------	----

TLF.SST - TLFS.SST

420102	TLF.SST-24/138-150+R	1500	2500	101
420104	TLFS.SST-24/138-150+R	1500	2500	103

