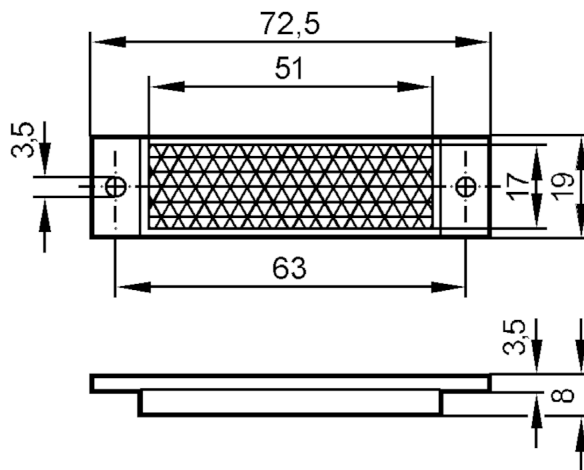


E20957



Reflector for retro-reflective sensors

REFLECTOR TS-72X19



Application

Design rectangular, for red light and infrared light retro-reflective sensors

Operating conditions

Ambient temperature [°C] -10...60

Mechanical data

Weight [g] 9.3

Dimensions [mm] 8 x 19 x 72.5

Materials plastics

Remarks

Pack quantity 1 pcs.